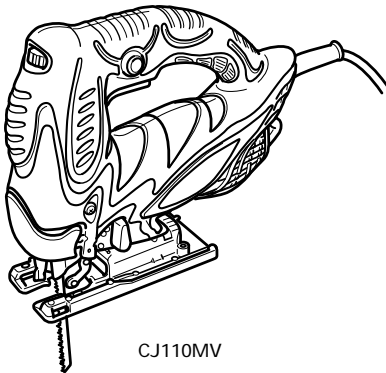


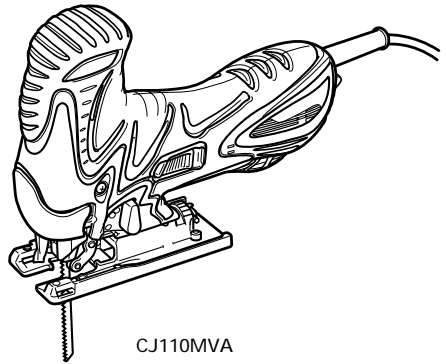
# HITACHI

Jig Saw  
Stichsäge  
Σέγα  
Wyrzynarka  
Szúrófűrész  
Přímočará pila  
Dekupaj  
Побзик

CJ 110MV · CJ 110MVA



CJ110MV



CJ110MVA

Read through carefully and understand these instructions before use.

Diese Anleitung vor Benutzung des Werkzeugs sorgfältig durchlesen und verstehen.

Διαβάστε προσεκτικά και κατανοήστε αυτές τις οδηγίες πριν τη χρήση.

Przed użytkowaniem należy dokładnie przeczytać niniejszą instrukcję i zrozumieć jej treść.

Használat előtt olvassa el figyelmesen a használati utasítást.

Před použitím si pečlivě přečtěte tento návod a ujistěte se, že mu dobře rozumíte.

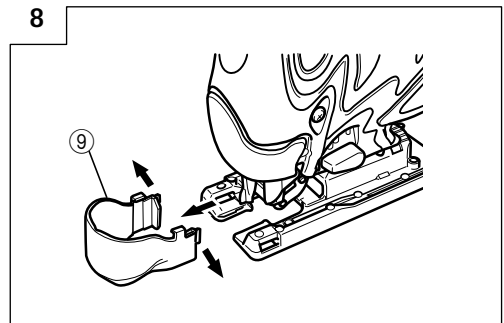
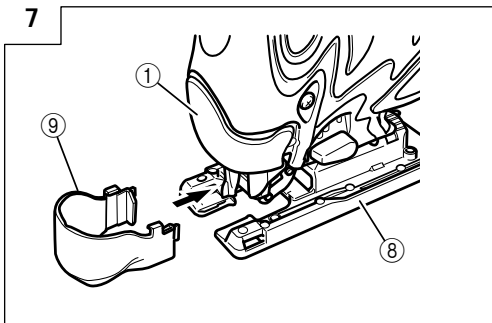
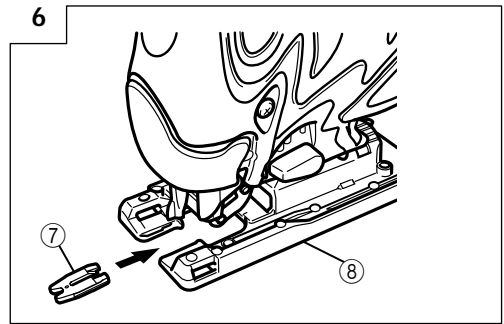
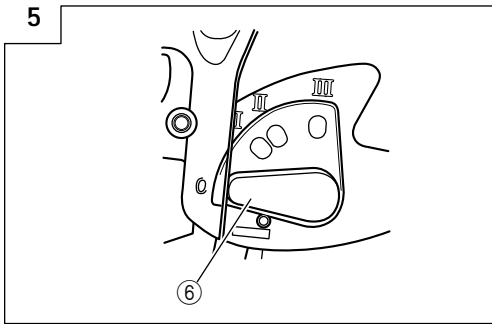
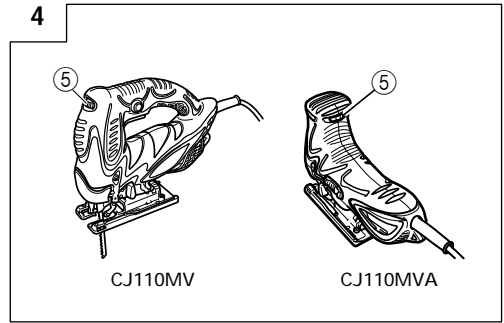
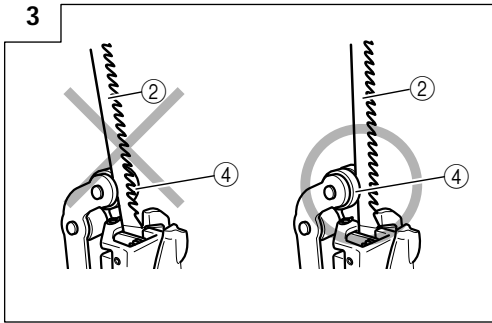
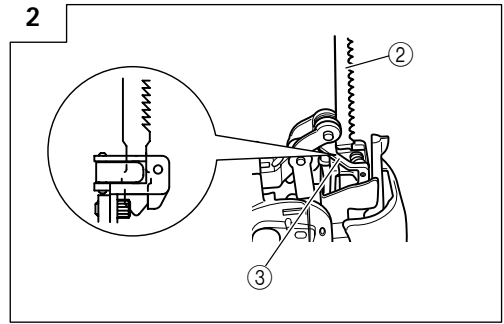
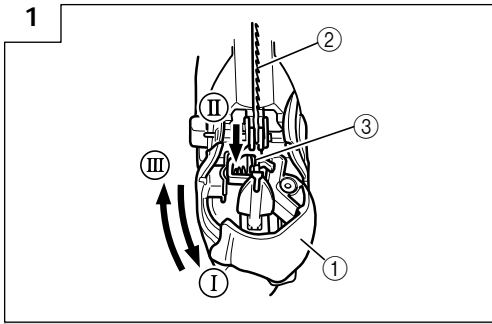
Aleti kullanmadan önce bu kılavuzu iyice okuyun ve talimatları anlayın.

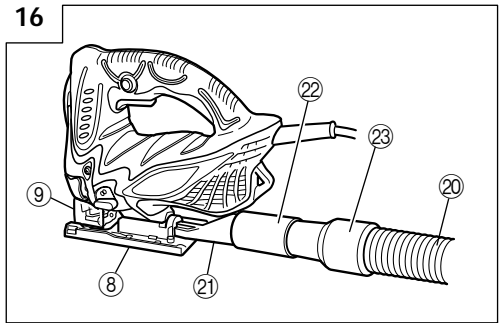
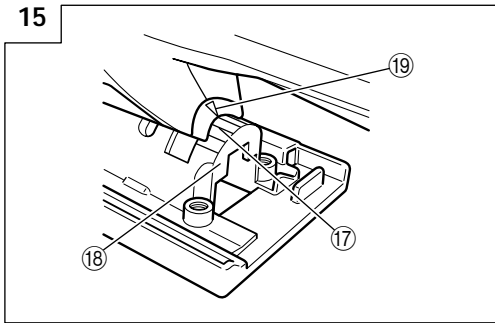
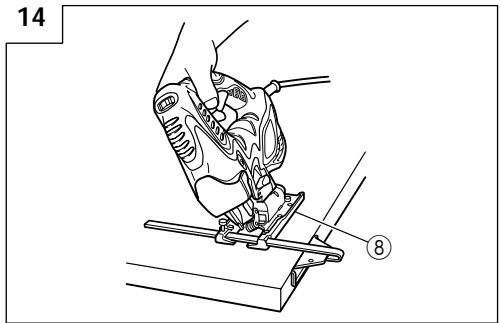
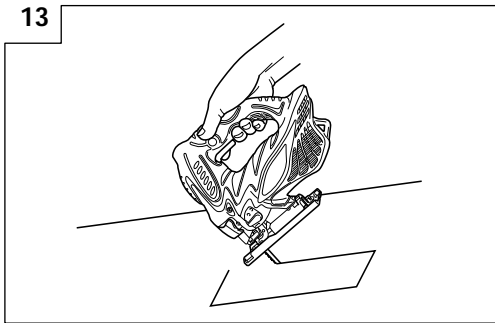
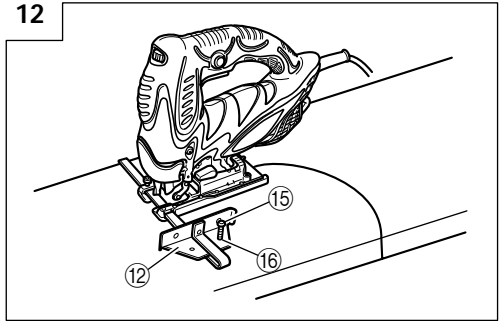
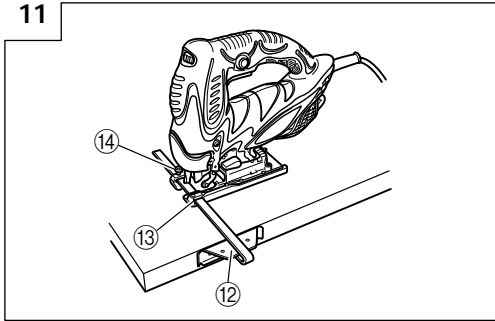
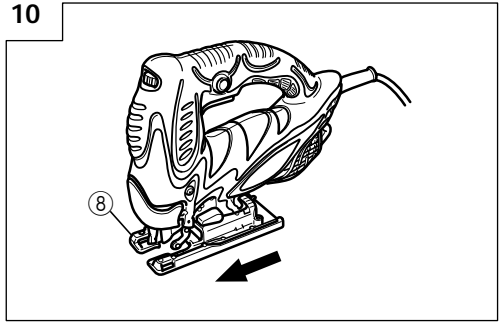
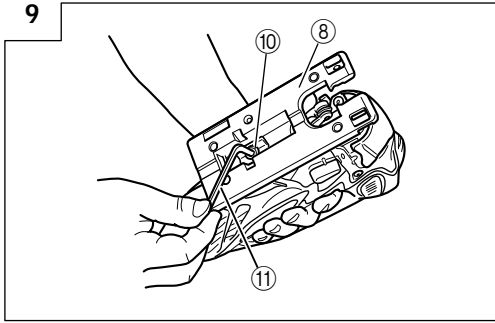
Внимательно прочтите данную инструкцию по эксплуатации прежде чем пользоваться инструментом.



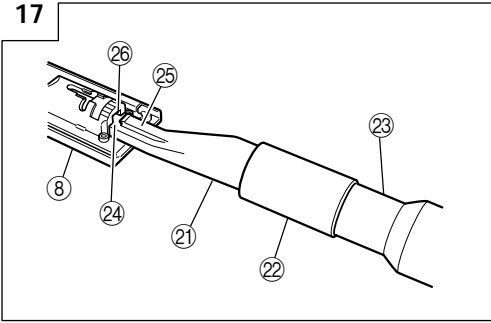
Handling instructions  
Bedienungsanleitung  
Οδηγίες χειρισμού  
Instrukcja obsługi  
Kezelési utasítás  
Návod k obsluze  
Kullanım talimatları  
Инструкция по эксплуатации

**Hitachi Koki**

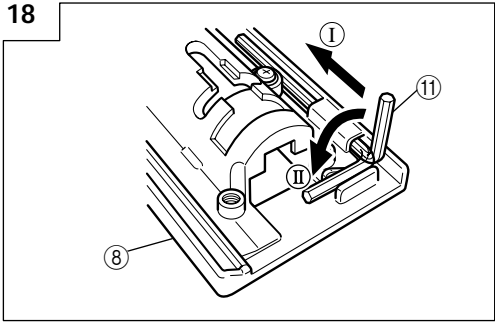




17



18



	English	Deutsch	Ελληνικά	Polski
①	Lever	Hebel	Μοχλός	Dźwignia
②	Blade	Blatt	Λεπίδα	Ostrze
③	Blade holder	Sägeblatthalter	Στήριγμα λεπίδας	Uchwyt ostrza
④	Roller	Führungsrolle	Κύλινδρος	Walek
⑤	Dial	Skalenscheibe	Καντράν	Oznaczenia cyfrowe
⑥	Change knob	Wechselring	Κουμπί αλλαγής	Pokrętło regulacyjne
⑦	Splinter guard	Splitterschutz	Προφυλακτήρας σχίζας	Oslona zabezpieczająca przed odpryskami
⑧	Base	Grundplatte	Βάση	Podstawa
⑨	Chip cover	Schnipseldeckel	Κάλυμμα ρισιμάτων	Oslona zabezpieczająca przed odłamkami
⑩	Base bolt	Grundplattenschraube	Μπουλόνι βάσης	Śruba podstawy
⑪	Hexagonal bar wrench	Sechskantinnenschlüssel	Εξάγωνο κλειδί Άλεν	Klucz sześciokątny
⑫	Guide	Führung	Οδηγός	Prowadnica
⑬	Attachment hole	Anbringungsloch	Τρύπα σύνδεσης	Otwór mocowania
⑭	M5 bolt	M5-Schraube	M5 Μπουλόνι	Śruba M5
⑮	Nail or screw	Nagel oder Schraube	Καρφί ή βίδα	Wkręt
⑯	Guide hole	Führungsloch	Τρύπα οδηγός	Otwór prowadnicy
⑰	Scale	Skala	Κλίμακα	Podziałka
⑱	Semi-circular part	Halbkreisförmiger Teil	Ημικυκλικό τμήμα	Element półokrągły
⑲	▽-mark	▽-Markierung	▽-σημάδι	Znak ▽
⑳	Cleaner	Staubsauger	Καθαριστής	Odkurzacz
㉑	Dust collector	Staubsammler	Συλλέκτης σκόνης	Odpylacz
㉒	Adapter	Adapter	Προσαρμογέας	Element łączący
㉓	Nose	Nase	Άκρο	Końcówka przednia
㉔	Rear hole	Hinteres Loch	Πίσω τρύπα	Otwór tylny
㉕	Hook	Haken	Άγκιστρο	Hak
㉖	Notch	Kerbe	Εγκοπή	Karb

	Magyar	Čeština	Türkçe	Русский
①	Kar	Páka	Kol	Рычаг
②	Fűrészlap	List	Biçak	Полотно
③	Fűrészlap befogószerkezet	Držák listu	Biçak tutucu	Держатель полотна
④	Henger	Vodící kladka	Silindir	Ролик
⑤	Számtárcsa	Kotouč se stupnicí	Kadran	Диск
⑥	Átkapcsoló gomb	Přepínací tlačítko	Değiştirme düğmesi	Ручка переключателя
⑦	Forgácsvédő pajzs	Ochranný kryt proti odštěpování	Kıymık muhafazası	Защитное приспособление
⑧	Alapzat	Základní deska	Taban	Основание
⑨	Forgácsvédő fedél	Kryt proti třískám	Talaş/yonga kapağı	Крышка стружкосборника
⑩	Az alapzat csavarja	Šroub základní desky	Taban somunu	Болт основания
⑪	Hatszögletű dugókulcs	Klíč na vnitřní šestihrany	Alyan anahtar	Гаечный ключ в виде шестигранного стержня
⑫	Vezetőelem	Vedení	Kılavuz	Направляющая
⑬	Rögzítőfurat	Upevňovací otvor	İlave deliği	Установочное отверстие
⑭	M5 csavar	Šroub M5	M5 somun	Болт М5
⑮	Facsarvar	Hřebík nebo šroub	Çivi vida	Шуруп
⑯	Vezetőfurat	Vodící otvor	Kılavuz deliği	Направляющее отверстие
⑰	Skála	Stupnice	Ölçek	Шкала
⑱	Félkör alakú rész	Polokruhová část	Yarı dairesel bölüm	Полукруглая деталь
⑲	▽ jel	Značka ▽	▽ işareti	Метка ▽
⑳	Porszívó	Odsavač prachu	Temizleyici	Пылесос
㉑	Porgyűjtő	Sběrač prachu	Toz toplayıcı	Пылеуловитель
㉒	Adapter	Adaptér	Adaptör	Адаптер
㉓	Fej	Nos	Burun	Наконечник
㉔	Hátsó furat	Zadní otvor	Arka delik	Заднее отверстие
㉕	Horog	Hák	Askı	Крючок
㉖	Bevágás	Zářez	Çentik	Прорезь

## GENERAL SAFETY RULES

### WARNING!

#### Read all instructions

Failure to follow all instructions listed below may result in electric shock, fire and/or serious injury.

The term "power tool" in all of the warnings listed below refers to your mains operated (corded) power tool or battery operated (cordless) power tool.

### SAVE THESE INSTRUCTIONS

#### 1) Work area

- a) **Keep work area clean and well lit.**  
*Cluttered and dark areas invite accidents.*
- b) **Do not operate power tools in explosive atmospheres, such as in the presence of flammable liquids, gases or dust.**  
*Power tools create sparks which may ignite the dust of fumes.*
- c) **Keep children and bystanders away while operating a power tool.**  
*Distractions can cause you to lose control.*

#### 2) Electrical safety

- a) **Power tool plugs must match the outlet. Never modify the plug in any way.**  
**Do not use any adapter plugs with earthed (grounded) power tools.**  
*Unmodified plugs and matching outlets will reduce risk of electric shock.*
- b) **Avoid body contact with earthed or grounded surfaces such as pipes, radiators, ranges and refrigerators.**  
*There is an increased risk of electric shock if your body is earthed or grounded.*
- c) **Do not expose power tools to rain or wet conditions.**  
*Water entering a power tool will increase the risk of electric shock.*
- d) **Do not abuse the cord. Never use the cord for carrying, pulling or unplugging the power tool. Keep cord away from heat, oil, sharp edges or moving parts.**  
*Damaged or entangled cords increase the risk of electric shock.*
- e) **When operating a power tool outdoors, use an extension cord suitable for outdoor use.**  
*Use of a cord suitable for outdoor use reduces the risk of electric shock*

#### 3) Personal safety

- a) **Stay alert, watch what you are doing and use common sense when operating a power tool. Do not use a power tool while you are tired or under the influence of drugs, alcohol or medication.**  
*A moment of inattention while operating power tools may result in serious personal injury.*
- b) **Use safety equipment. Always wear eye protection. Safety equipment such as dust mask, non-skid safety shoes, hard hat, or hearing protection used for appropriate conditions will reduce personal injuries.**
- c) **Avoid accidental starting. Ensure the switch is in the off position before plugging in.**  
*Carrying power tools with your finger on the switch or plugging in power tools that have the switch on invites accidents.*
- d) **Remove any adjusting key or wrench before turning the power tool on.**

*A wrench or a key left attached to a rotating part of the power tool may result in personal injury.*

- e) **Do not overreach. Keep proper footing and balance at all times.**  
*This enables better control of the power tool in unexpected situations.*
  - f) **Dress properly. Do not wear loose clothing or jewellery. Keep your hair, clothing and gloves away from moving parts.**  
*Loose clothes, jewellery or long hair can be caught in moving parts.*
  - g) **If devices are provided for the connection of dust extraction and collection facilities, ensure these are connected and properly used.**  
*Use of these devices can reduce dust related hazards.*
- #### 4) Power tool use and care
- a) **Do not force the power tool. Use the correct power tool for your application.**  
*The correct power tool will do the job better and safer at the rate for which it was designed.*
  - b) **Do not use the power tool if the switch does not turn it on and off.**  
*Any power tool that cannot be controlled with the switch is dangerous and must be repaired.*
  - c) **Disconnect the plug from the power source before making any adjustments, changing accessories, or storing power tools.**  
*Such preventive safety measures reduce the risk of starting the power tool accidentally.*
  - d) **Store idle power tools out of the reach of children and do not allow persons unfamiliar with the power tool or these instructions to operate the power tool. Power tools are dangerous in the hands of untrained users.**
  - e) **Maintain power tools. Check for misalignment or binding of moving parts, breakage of parts and any other condition that may affect the power tools operation.**  
**If damaged, have the power tool repaired before use.**  
*Many accidents are caused by poorly maintained power tools.*
  - f) **Keep cutting tools sharp and clean.**  
*Properly maintained cutting tools with sharp cutting edges are less likely to bind and are easier to control.*
  - g) **Use the power tool, accessories and tool bits etc., in accordance with these instructions and in the manner intended for the particular type of power tool, taking into account the working conditions and the work to be performed.**  
*Use of the power tool for operations different from intended could result in a hazardous situation.*
- #### 5) Service
- a) **Have your power tool serviced by a qualified repair person using only identical replacement parts.**  
*This will ensure that the safety of the power tool is maintained.*

### PRECAUTION

**Keep children and infirm persons away. When not in use, tools should be stored out of reach of children and infirm persons.**

**PRECAUTIONS ON USING JIG SAW**

This Jig saw employs a high-power motor. If the machine is used continuously at low speed, an extra load is applied to the motor which can result in motor seizure. Always operate the power tool so that the blade is not caught by the material during operation. Always adjust the blade speed to enable smooth cutting.

**SPECIFICATIONS**

Voltage (by areas)*	(110V, 115V, 120V, 127V, 220V, 230V, 240V) $\surd$
Power Input*	720W
Max. Cutting Depth	Wood 110 mm Mild Steel 10 mm
No-Load Speed	850 – 3000min <sup>-1</sup>
Stroke	26 mm
Min. Cutting Radius	25 mm
Weight (without cord)	2.2 kg

\*Be sure to check the nameplate on product as it is subject to change by areas.

**STANDARD ACCESSORIES**

- (1) Blades (No. 41) ..... 1  
Refer to **Table 1** for use of the blades.
  - (2) Hexagon bar wrench ..... 1
  - (3) Splinter guard ..... 1
  - (4) Dust collector ..... 1
  - (5) Chip cover ..... 1
- Standard accessories are subject to change without notice.

**OPTIONAL ACCESSORIES ... Sold separately**

- (1) Various types of blades  
Refer to **Table 1** for use of the blades.
  - (2) Guide
  - (3) Sub base
  - (4) Bench stand (Model TR12-B)
- Optional accessories are subject to change without notice.

**APPLICATIONS**

- Cutting various lumber and pocket cutting
- Cutting mild steel plate, aluminum plate, and copper plate
- Cutting synthetic resins, such as phenol resin and vinyl chloride
- Cutting thin and soft construction materials
- Cutting stainless steel plate (with No. 97 blade)

**PRIOR TO OPERATION**

- 1. Power source**  
Ensure that the power source to be utilized conforms to the power requirements specified on the product nameplate.
- 2. Power switch**  
Ensure that the power switch is in the OFF position. If the plug is connected to a receptacle while the power

switch is in the ON position, the power tool will start operating immediately, which could cause a serious accident.

- 3. Extension cord**  
When the work area is removed from the power source, use an extension cord of sufficient thickness and rated capacity. The extension cord should be kept as short as practicable.
- 4. Dust produced in operation**  
*The dust produced in normal operation may affect the operator's health. Either of following way is recommended.*

- a) **Wear a dust mask**
- b) **Use external dust collection equipment**

When using the external dust collection equipment, connect the adapter with the hose from external dust collection equipment.

- 5. Changing blades**
  - (1) Open the lever up to the stop. (Fig. 1-I)
  - (2) Remove fitted blade.
  - (3) Insert new blade up to the stop in the blade holder. (Fig. 1-II)
  - (4) Close the lever. (Fig. 1-III)

**CAUTION:**

- Be sure to switch power OFF and disconnect the plug from the receptacle when changing blades.
- Do not open the lever when plunger is moving.

**NOTE:**

- Confirm the protrusions of blade inserted to the blade holder surely. (Fig. 2)
- Confirm the blade located between the groove of roller. (Fig. 3)

- 6. Adjusting the blade operating speed**  
This Jig Saw is equipped with the electric control circuit which enables stepless speed control. To adjust the speed, turn the dial shown in Fig. 4. When the dial is set to "1", the jig saw operates at the minimum speed (850min<sup>-1</sup>). When the dial set to "5", the jig saw



operates at the maximum speed (3000min<sup>-1</sup>). Adjust the speed according to the material to be cut and working efficiency.

#### CAUTION:

At low speed (dial setting: 1 or 2) do not cut a wood with a thickness of more than 10 mm or metal with a thickness of more than 1 mm.

#### 7. Adjusting the orbital operation

(1) This Jig Saw employs orbital operation which moves the blade back and forth, as well as up and down. Set the change knob shown in Fig. 5 to "0" to eliminate the orbital operation (the blade moves only up and down). The orbital operation can be selected in 4 steps from "0" to "III".

(2) For the hard material, such as a steel plate, etc., decrease the orbital operation. For the soft material, such as lumber, plastic, etc., increase the orbital operation to increase work efficiency. To cut the material accurately, decrease the orbital operation.

#### 8. Cutting stainless steel plates

This Jig Saw can cut stainless steel plates by using No. 97 blade. Carefully read "Concerning cutting of stainless steel plates" for proper operation.

#### 9. Splinter guard

Using the splinter guard when cutting wood materials will reduce splintering of cut surfaces.

Insert the splinter guard in the space on the base, and push it completely. (See Fig. 6)

#### 10. Chip cover

Chip cover prevents chips from flying off and improves the efficiency of dust collector.

Insert the chip cover between the base and lever, and push with a slight pressure until it catches in place. (Fig. 7)

When removing chip cover, hold both sides of knob and slightly open until it can be removed from the Jig Saw. (Fig. 8)

#### NOTE:

There is a possibility that chip cover is frosted when cutting the metal.

#### 11. Sub base

Using the sub base (made from steel) will reduce abrasion of aluminium base especially in cutting metals.

Using the sub base (made from resin) will reduce scratching of cut surface. Attach the sub base to the bottom surface of base by attached 4 screws.

#### 12. Lighting up the lamp

To turn on the lamp, pull the trigger.

Release the trigger to turn off.

#### CAUTION:

Do not look in the light or see the source of light directly.

---

## CUTTING

#### CAUTION:

○ In order to prevent blade dislodging, damage or excessive wear on the Plunger, please make sure to have surface of the base plate attached to the work piece while sawing.

#### 1. Rectilinear cutting

When cutting on a straight line, first draw a marking gauge line and advance the saw along that line. Using the guide (sold separately) will make it possible to cut accurately on a straight line.

- (1) Loosen the base bolt hexagonal bar wrench attached on base. (Fig. 9)
- (2) Move the base fully forward (Fig. 10), and tighten the base bolt again.
- (3) Attach the guide by passing it through the attachment hole on the base and tighten the M5 bolt. (Fig. 11)
- (4) Set the orbital position to "0".

#### NOTE:

To ensure accurate cutting when using the Guide (Fig.11), always set the orbital position to "0".

#### 2. Sawing curved lines

When sawing a small circular arc, reduce the feeding speed of the machine. If the machine is fed too fast, it could cause the blade to break.

#### 3. Cutting a circle or a circular arc

The guide also will be helpful for circular cutting.

After attaching the guide by same way noted as above, drive the nail or screw into the material through the hole on the guide, then use it for an axis when cutting. (Fig. 12)

#### NOTE:

Circular cutting must be done with the blade approximately vertical to the bottom surface of the base.

#### 4. Cutting metallic materials

(1) Adjust the speed Dial between scales "3" and "4".

(2) Set the orbital position to "0" or "1".

(3) Always use an appropriate cutting fluid (spindle oil, soapy water, etc.). When a liquid cutting fluid is not available, apply grease to the back surface of the material to be cut.

#### 5. Pocket cutting

(1) In lumber

Aligning the blade direction with the grain of the wood, cut step by step until a window hole is cut in the center of the lumber. (Fig. 13)

(2) In other materials

When cutting a window hole in materials other than lumber, initially bore a hole with a drill or similar tool from which to start cutting.

#### 6. Angular cutting

The base can be swiveled to both sides by up to 45° for angular cutting. (Fig. 14)

(1) Loosen the base bolt by hexagonal bar wrench attached on base and move the base fully forward. (Fig. 9, 10)

(2) Align the scale (from 0 degrees to 45 degrees by 15-degree increments) of the semi-circular part of the base with the [▽] mark on the gear cover. (Fig. 15)

(3) Tighten the M5 bolt again. (Fig. 9)

(4) Set the orbital position to "0".

#### NOTE:

Angular cutting can not be done when adopting chip cover or dust collector.

---

## CONNECTING WITH CLEANER

By connecting with cleaner (sold separately) through dust collector and adapter (sold separately), most of dust can be collected.

(1) Remove the hexagonal bar wrench from the base.

(2) Move the base fully forward. (Fig. 9, 10)

(3) Attach the chip cover.

(4) Connect the dust collector with adapter. (Fig. 16)

(5) Connect the adapter with the nose of cleaner. (Fig. 16)

- (6) Insert dust collector into the rear hole of the base until the hook catches in the notch. (Fig. 17)
- (7) Press the hook to remove the dust collector.

**NOTE:**

Wear the dust mask additionally, if available.

---

## CONCERNING CUTTING OF STAINLESS STEEL PLATES

---

**CAUTION:**

In order to prevent blade dislodging, damage or excessive wear on the Plunger, please make sure to have surface of the base plate attached to the work piece while sawing.

When cutting stainless steel plates, adjust the unit as described below:

**1. Adjust the speed**

Blade	Thickness of material	Dial Scale
No. 97	1.5 – 2.5 mm	Middle groove position between scales "2" and "3"

**NOTE:**

Dial scale reading is for reference only. The higher the speed is, the quicker the material is cut. But the service life of the blade will be reduced in this case. When the speed is too low, cutting will take longer, although the service life will be prolonged. Make adjustments as desired.

**2. Set the orbital position to "0"**

**NOTE:**

- When cutting use cutting fluid (oil base cutting fluid) to prolong the blade's service life.

---

## SELECTION OF BLADES

---

○ **Accessory blades**

To ensure maximum operating efficiency and results, it is very important to select the appropriate blade best suited to the type and thickness of the material to be cut. Three types of blades are provided as standard accessories. The blade number is engraved in the vicinity of the mounting portion of each blade. Select appropriate blades by referring to **Table 1**.

---

## HOUSING THE HEXAGONAL BAR WRENCH

---

It is possible to house the hexagonal bar wrench on the base. (See Fig. 18)

---

## MAINTENANCE AND INSPECTION

---

**1. Inspecting the blade**

Continued use of a dull or damaged blade will result in reduced cutting efficiency and may cause overloading of the motor. Replace the blade with a new one as soon as excessive abrasion is noted.

**2. Inspecting the mounting screws**

Regularly inspect all mounting screws and ensure that they are properly tightened. Should any of the screws be loose, retighten them immediately. Failure to do so could result in serious hazard.

**3. Maintenance of the motor**

The motor unit winding is the very "heart" of the power tool. Exercise due care to ensure the winding does not become damaged and/or wet with oil or water.

**4. Inspecting the carbon brushes**

For your continued safety and electrical shock protection, carbon brush inspection and replacement on this tool should ONLY be performed by a HITACHI AUTHORIZED SERVICE CENTER.

**5. Replacing supply cord**

If the supply cord of Tool is damaged, the Tool must be returned to Hitachi Authorized Service Center for the cord to be replaced.

**6. Service parts list**

- A: Item No.
- B: Code No.
- C: No. Used
- D: Remarks

**CAUTION**

Repair, modification and inspection of Hitachi Power Tools must be carried out by an Hitachi Authorized Service Center.

This Parts List will be helpful if presented with the tool to the Hitachi Authorized Service Center when requesting repair or other maintenance.

In the operation and maintenance of power tools, the safety regulations and standards prescribed in each country must be observed.

**MODIFICATIONS**

Hitachi Power Tools are constantly being improved and modified to incorporate the latest technological advancements.

Accordingly, some parts (i.e. code numbers and/or design) may be changed without prior notice.

---

**NOTE:**

Due to HITACHI's continuing program of research and development, the specifications herein are subject to change without prior notice.

---

---

**Information concerning airborne noise and vibration**

The measured values were determined according to EN60745 and declared in accordance with ISO 4871.

Measured A-weighted sound power level: 97 dB (A).  
Measured A-weighted sound pressure level: 86 dB (A).  
Uncertainty KpA: 3 dB (A).

Wear ear protection.

The typical weighted root mean square acceleration value: 5.6 m/s<sup>2</sup> (CJ110MV), 5.2 m/s<sup>2</sup> (CJ110MVA).

---

---

Table 1 List of appropriate blades

Material to be cut	Blade	No. 1 (Long)	No. 1 (Super Long)	No.11	No. 12, 42	No. 15	No. 16, 46	No. 21	No. 22	No.41	No. 97	123X
		Thickness of material (mm)										
Lumber	General lumber	Below 105	Below 110	10 ~ 55	Below 20			10 ~ 55	5 ~ 40	10 ~ 65		
	Plywood			5 ~ 30	Below 10			5 ~ 30	3 ~ 20			
Iron plate	Mild steel plate					3 ~ 6	Below 3				2 ~ 5	1.5 ~ 10
	Stainless steel plate										1.5 ~ 2.5	
Nonferrous metal	Aluminium copper, brass					3 ~ 12	Below 3				Below 5	
	Aluminium sash					Height up to 25					Height up to 25	Height up to 30
Plastics	Phenol resin, melamine, resin, etc.					5 ~ 20	Below 6	5 ~ 15	Below 6		5 ~ 15	
	Vinyl chloride, acryl resin, etc.			5 ~ 30	Below 10	5 ~ 20	Below 5	5 ~ 30	3 ~ 20		5 ~ 15	
	Foamed polyethylene, foamed styrol			10 ~ 55	3 ~ 25	5 ~ 25	3 ~ 25	10 ~ 55	3 ~ 40		5 ~ 25	
Pulp	Card board, corrugated paper			10 ~ 55	3 ~ 25			10 ~ 55	3 ~ 40			
	Hardboard					3 ~ 25	Below 6				3 ~ 25	
	Fiberboard						Below 6					

## NOTE:

- The minimum cutting radius of No. 1 (Long), No. 1 (Super Long), No. 21, No. 22 and No. 41 blades is 100 mm.

## ALLGEMEINE SICHERHEITSMASSNAHMEN

### WARNUNG!

#### Lesen Sie sämtliche Hinweise durch

Wenn nicht sämtliche nachstehenden Anweisungen befolgt werden, kann es zu Stromschlag, Brand und/oder ernsthaften Verletzungen kommen.

Der Begriff „Elektrowerkzeug“ bezieht sich in den folgenden Warnhinweisen auf Elektrowerkzeuge mit Netz- (schnurgebunden) oder Akkubetrieb (schnurlos).

### BEWAHREN SIE DIESE ANWEISUNGEN AUF

#### 1) Arbeitsbereich

- a) Sorgen Sie für einen sauberen und gut ausgeleuchteten Arbeitsbereich.

Zugestellte und dunkle Bereiche ziehen Unfälle förmlich an.

- b) Verwenden Sie Elektrowerkzeuge niemals an Orten, an denen Explosionsgefahr besteht – zum Beispiel in der Nähe von leicht entflammaren Flüssigkeiten, Gasen oder Stäuben.

Bei der Arbeit mit Elektrowerkzeugen kann es zu Funkenbildung kommen, wodurch sich Stäube oder Dämpfe entzünden können.

- c) Sorgen Sie bei der Arbeit mit Elektrowerkzeugen dafür, dass sich keine Zuschauer (insbesondere Kinder) in der Nähe befinden.

Wenn Sie abgelenkt werden, können Sie die Kontrolle über das Werkzeug verlieren.

#### 2) Elektrische Sicherheit

- a) Elektrowerkzeuge müssen mit passender Stromversorgung betrieben werden.

Nehmen Sie niemals irgendwelche Änderungen am Anschlussstecker vor.

Verwenden Sie bei Elektrowerkzeugen mit Schutzkontakt (geerdet) niemals Adapterstecker. Stecker im Originalzustand und passende Steckdosen reduzieren das Stromschlagrisiko.

- b) Vermeiden Sie Körperkontakt mit geerdeten Gegenständen wie Rohrleitungen, Heizungen, Herden oder Kühlschränken.

Bei Körperkontakt mit geerdeten Gegenständen besteht ein erhöhtes Stromschlagrisiko.

- c) Setzen Sie Elektrowerkzeuge niemals Regen oder sonstiger Feuchtigkeit aus.

Wenn Flüssigkeiten in ein Elektrowerkzeug eindringen, erhöht sich das Stromschlagrisiko.

- d) Verwenden Sie die Anschlusschnur nicht missbräuchlich. Tragen Sie das Elektrowerkzeug niemals an der Anschlusschnur, ziehen Sie es nicht damit heran und ziehen Sie den Stecker nicht an der Anschlusschnur aus der Steckdose. Halten Sie die Anschlusschnur von Hitzequellen, Öl, scharfen Kanten und beweglichen Teilen fern. Beschädigte oder verdrehte Anschlusschnüre erhöhen das Stromschlagrisiko.

- e) Wenn Sie ein Elektrowerkzeug im Freien benutzen, verwenden Sie ein für den Außeneinsatz geeignetes Verlängerungskabel. Ein für den Außeneinsatz geeignetes Kabel vermindert das Stromschlagrisiko.

#### 3) Persönliche Sicherheit

- a) Bleiben Sie wachsam, achten Sie auf das, was Sie tun, und setzen Sie Ihren Verstand ein, wenn Sie mit Elektrowerkzeugen arbeiten.

Benutzen Sie keine Elektrowerkzeuge, wenn Sie müde sind oder unter Einfluss von Drogen, Alkohol oder Medikamenten stehen.

Bei der Arbeit mit Elektrowerkzeugen können bereits kurze Phasen der Unaufmerksamkeit zu schweren Verletzungen führen.

- b) Benutzen Sie Schutzausrüstung. Tragen Sie immer einen Augenschutz.

Schutzausrüstung wie Staubmaske, rutschsichere Sicherheitsschuhe, Schutzhelm und Gehörschutz senken das Verletzungsrisiko bei angemessenem Einsatz.

- c) Vermeiden Sie unbeabsichtigten Anlauf. Achten Sie darauf, dass sich der Schalter in der Aus-(Off-) Position befindet, ehe Sie den Stecker einstecken.

Das Herumtragen von Elektrowerkzeugen mit dem Finger am Schalter und das Einstecken des Steckers bei betätigtem Schalter zieht Unfälle regelrecht an.

- d) Entfernen Sie sämtliche Einstellwerkzeuge (Einstellschlüssel), ehe Sie das Elektrowerkzeug einschalten.

Ein an einem beweglichen Teil des Elektrowerkzeugs angebrachter Schlüssel kann zu Verletzungen führen.

- e) Sorgen Sie für einen festen Stand. Achten Sie jederzeit darauf, sicher zu stehen und das Gleichgewicht zu bewahren.

Dadurch haben Sie das Elektrowerkzeug in unerwarteten Situationen besser im Griff.

- f) Kleiden Sie sich richtig. Tragen Sie keine lose Kleidung oder Schmuck. Halten Sie Haar, Kleidung und Handschuhe von beweglichen Teilen fern. Lose Kleidung, Schmuck oder langes Haar kann von beweglichen Teilen erfasst werden.

- g) Wenn Anschlüsse für Staubabsaug- und -sammelvorrichtungen vorhanden sind, sorgen Sie dafür, dass diese richtig angeschlossen und eingesetzt werden.

Die Verwendung solcher Vorrichtungen kann Staub-bezogene Gefahren mindern.

#### 4) Einsatz und Pflege von Elektrowerkzeugen

- a) Überansprechen Sie Elektrowerkzeuge nicht. Benutzen Sie das richtige Elektrowerkzeug für Ihren Einsatzzweck.

Das richtige Elektrowerkzeug erledigt seine Arbeit bei bestimmungsgemäßem Einsatz besser und sicherer.

- b) Benutzen Sie das Elektrowerkzeug nicht, wenn es sich nicht am Schalter ein- und ausschalten lässt. Jedes Elektrowerkzeug, das nicht mit dem Schalter betätigt werden kann, stellt eine Gefahr dar und muss repariert werden.

- c) Ziehen Sie den Netzstecker, ehe Sie Einstellarbeiten vornehmen, Zubehörteile tauschen oder das Elektrowerkzeug verstauen. Solche präventiven Sicherheitsmaßnahmen verhindern den unbeabsichtigten Anlauf des Elektrowerkzeugs und die damit verbundenen Gefahren.

- d) Lagern Sie nicht benutzte Elektrowerkzeuge außerhalb der Reichweite von Kindern, lassen Sie nicht zu, dass Personen das Elektrowerkzeug bedienen, die nicht mit dem Werkzeug selbst und/oder diesen Anweisungen vertraut sind.

*Elektrowerkzeuge in ungeschulten Händen sind gefährlich.*

- e) Halten Sie Elektrowerkzeuge in Stand. Prüfen Sie auf Fehlausrichtungen, sicheren Halt und Leichtgängigkeit beweglicher Teile, Beschädigungen von Teilen und auf jegliche andere Zustände, die sich auf den Betrieb des Elektrowerkzeugs auswirken können.  
Bei Beschädigungen lassen Sie das Elektrowerkzeug reparieren, ehe Sie es benutzen.  
*Viele Unfälle mit Elektrowerkzeugen sind auf schlechte Wartung zurückzuführen.*
- f) Halten Sie Schneidwerkzeuge scharf und sauber. Richtig gewartete Schneidwerkzeuge mit scharfen Schneidkanten bleiben weniger häufig hängen und sind einfacher zu beherrschen.
- g) Benutzen Sie Elektrowerkzeuge, Zubehör, Werkzeugspitzen und Ähnliches in Übereinstimmung mit diesen Anweisungen und auf die für das jeweilige Elektrowerkzeug bestimmungsgemäße Weise – beachten Sie dabei die jeweiligen Arbeitsbedingungen und die Art und Weise der auszuführenden Arbeiten.  
*Der bestimmungswidrige Einsatz von Elektrowerkzeugen kann zu gefährlichen Situationen führen.*

- 5) Service
  - a) Lassen Sie Elektrowerkzeuge durch qualifizierte Fachkräfte und unter Einsatz passender, zugelassener Originalteile warten.  
*Dies sorgt dafür, dass die Sicherheit des Elektrowerkzeugs nicht beeinträchtigt wird.*

**VORSICHT**

Von Kindern und gebrechlichen Personen fernhalten. Werkzeuge sollten bei Nichtgebrauch außerhalb der Reichweite von Kindern und gebrechlichen Personen aufbewahrt werden.

**VORSICHTSMASSNAHMEN BEI DER BEDIENUNG DER STICHSÄGE**

Diese Maschine arbeitet mit einem starken Motor. Wenn die Maschine längere Zeit bei niedriger Geschwindigkeit verwendet wird, wird der Motor stark belastet und kann sich festfressen. Das Werkzeug immer so einsetzen, daß das Sägeblatt beim Betrieb nicht im Werkstück festsetzt. Immer die Geschwindigkeit so einstellen, daß gut gesägt werden kann.

**TECHNISCHE DATEN**

Spannung (ja nach Gebiet)*	(110V, 115V, 120V, 127V, 220V, 230V, 240V) ~
Leistungsaufnahme*	720W
Max. Schneidtiefe	Holz 110 mm Flußstahl 10 mm
Leerlaufhubzahlen	850 – 3000min <sup>-1</sup>
Hubstrecke	26 mm
Mindestschnittradius	25 mm
Gewicht (ohne Kabel)	2,2 kg

\*Vergessen Sie nicht, die Produktangaben auf dem Typenschild zu überprüfen, da sich diese je nach Verkaufsgebiet ändern.

**STANDARDZUBEHÖR**

- (1) Sägeblätter (Nr. 41) ..... 1  
Für Anwendung der Sägeblätter siehe **Tabelle 1**.
  - (2) Innensechskantchiüssel ..... 1
  - (3) Splitterschutz ..... 1
  - (4) Staubsauger ..... 1
  - (5) Schnipseldeckel ..... 1
- Das Standardzubehör kann ohne vorherige Bekanntmachung jederzeit geändert werden.

**SONDERZUBEHÖR ... separat zu beziehen**

- (1) Verschiedene Sägeblatt-Typen  
Für Anwendung der Sägeblätter siehe **Tabelle 1**.
  - (2) Führung
  - (3) Hilfsgrundplatte
  - (4) Bankstütze (Modell TR12-B)
- Das Sonderzubehör kann ohne vorherige Bekanntmachung jederzeit geändert werden.

**ANWENDUNGEN**

- Schneiden verschiedener Nutzhölzer (auch Aussparungen)
- Schneiden von Flußstahlblechen, Aluminiumblechen und Kupferblechen.
- Schneiden von Kunstharzen wie Phenolharz und Vinylchlorid
- Schneiden von dünnen und weichen Baumaterialien
- Schneiden von Blechen aus rostfreiem Stahl (mit Sägeblatt Nr. 97)

**VOR DER INBETRIEBNAHME**

1. **Netzspannung**  
Prüfen, daß die zu verwendende Netzspannung der Angabe auf dem Typenschild entspricht.
2. **Netzschalter**  
Prüfen, daß der Netzschalter auf „AUS“ steht. Wenn der Stecker an das Netz angeschlossen wird, während der Schalter auf „EIN“ steht, beginnt das Werkzeug sofort zu laufen, was gefährlich ist.

## 3. Verlängerungskabel

Wenn der Arbeitsbereich nicht in der Nähe des Netzanschlusses liegt, ist ein Verlängerungskabel ausreichenden Querschnitts und ausreichender Nennleistung zu verwenden. Das Verlängerungskabel sollte so kurz wie möglich gehalten werden.

## 4. Im Betrieb anfallender Staub

*Im Betrieb anfallender Staub kann gesundheitsschädlich sein. Wir empfehlen Folgendes.*

**a) Tragen Sie eine Staubschutzmaske**

**b) Nutzen Sie eine externe Staubabsaugvorrichtung**

Wenn Sie den externen Staubsammler verwenden, verbinden Sie das Adapterstück mit dem Schlauch des externen Staubsammlers.

## 5. Auswechseln des Sägeblatts

(1) Den Hebel bis zum Anschlag öffnen. (**Abb. 1-I**)

(2) Das angebrachte Sägeblatt entfernen.

(3) Das neue Sägeblatt bis zum Anschlag in den Sägeblatthalter einschieben. (**Abb. 1-II**)

(4) Den Hebel schließen. (**Abb. 1-III**)

### ACHTUNG:

- Vor dem Sägeblattwechsel den Hauptschalter ausschalten (OFF) und den Stecker aus der Steckdose ziehen.
- Den Hebel nicht öffnen, während sich der Tauchkolben bewegt.

### HINWEIS:

- Sicherstellen, dass das in den Sägeblatthalter eingeschobene Sägeblatt richtig hervorsteht. (**Abb. 2**)
- Sicherstellen, dass das Sägeblatt in der Nut der Rolle sitzt. (**Abb. 3**)

## 6. Einstellen der Arbeitsgeschwindigkeit des Sägeblattes

Diese Stichsäge ist mit einem elektrischen Steuerkreis ausgerüstet, der stufenlose Geschwindigkeitsregelung ermöglicht. Um die Geschwindigkeit einzustellen, die Skalenscheibe die auf **Abb. 4** gezeit ist drehen. Wenn die Scheibe auf „1“ eingestellt ist, arbeitet die Stichsäge auf Mindestgeschwindigkeit (850min<sup>-1</sup>). Wenn auf „5“ eingestellt, arbeitet die Stichsäge auf Höchstgeschwindigkeit (3000min<sup>-1</sup>). Die Geschwindigkeit je nach Schnittmaterial und Arbeitsleistung einstellen.

### ACHTUNG:

Bei kleiner Geschwindigkeit (Skalaeinstellung: 1 oder 2), kein Holzstück von einer Dicke über 10 mm oder Stahl von einer Dicke über 1 mm schneiden.

## 7. Einstellen des Umlaufbetriebs

(1) Diese Stichsäge verwendet Umlaufbetrieb, der das Sägeblatt von vorn nach hinten und auch von oben nach unten bewegt.

Den Wechselknopf der auf **Abb. 5** gezeigt ist auf „0“ einstellen um den Umlaufbetrieb auf das Mindestmaß herabzusetzen (das Sägeblatt bewegt sich nur von oben nach unten). Der Umlaufbetrieb kann in 4 Stufen von „0“ bis „III“ gewählt werden.

(2) Für hartes Material, wie Stahlblech, usw., den Umlaufbetrieb herabsetzen. Für weiches Material, wie Bauholz, Kunststoff, usw. den Umlaufbetrieb, um die Arbeitsleistung zu erhöhen, steigern. Um Material mit Genauigkeit zu schneiden den Umlaufbetrieb herabsetzen.

## 8. Sägen von rostfreien Stahlblechen

Diese Stichsäge kann mit den Sägeblättern 97 rostfreies Stahlblech sägen. Für korrekte Bedienung bitte den Abschnitt „Betreffend Sägen von rostfreien Stahlblechen“ aufmerksam durchlesen.

## 9. Splitterschutz

Die Verwendung des Splitterschutzes beim Schneiden von Holzmaterialien reduziert das Splintern an der Oberfläche. Den Splitterschutz in den Zwischenraum an der Grundplatte einsetzen und bis zum Anschlag einschieben. (Siehe **Abb. 6**)

## 10. Schnipseldeckel

Der Schnipseldeckel verhütet, dass Späne wegfliegen, und er verbessert die Wirksamkeit des Staubsammlers.

Den Schnipseldeckel zwischen der Grundplatte und dem Hebel einschieben und mit leichtem Druck eindrücken, bis er einrastet. (**Abb. 7**)

Zum Entfernen des Schnipseldeckels beide Seiten des Knopfes halten und leicht öffnen, bis der Schnipseldeckel von der Stichsäge entfernt werden kann. (**Abb. 8**)

### HINWEIS:

Es besteht die Möglichkeit, dass der Schnipseldeckel beim Sägen von Metall mattiert wird.

## 11. Hilfsgrundplatte

Verwendung der (aus Stahl hergestellten) Hilfsgrundplatte verringert den Abrieb von Aluminium, besonders beim Sägen von Metall.

Verwenden der (aus Kunstharz bestehenden) Hilfsgrundplatte verringert Verkratzen der Schnittoberfläche. Bringen Sie die Hilfsgrundplatte mit den vier mitgelieferten Schrauben an der Unterseite der Grundplatte an.

## 12. Leuchte einschalten

Zum Einschalten der Leuchte betätigen Sie den Auslöser.

Zum Ausschalten lassen Sie den Auslöser wieder los.

### VORSICHT:

Schauen Sie nicht direkt in den Strahl, schauen Sie nicht direkt in die Lichtquelle.

---

## SCHNEIDEN

---

### ACHTUNG:

- Zur Verhütung von Loslösen oder Beschädigung des Sägeblatts bzw. übermäßigen Verschleißes des Tauchkolbens bitte sicherstellen, dass die Grundplatte beim Sägen fest am Werkstück anliegt.

## 1. Parallelschneiden

Beim Sägen einer geraden Linie zuerst eine Führungslinie zeichnen und dann entlang dieser Linie sägen.

Verwendung der Führung (separat verkauft) macht es möglich genau geradlinig zu sägen.

- (1) Die Grundplattenschraube mit dem mitgelieferten Sechskantinnenschlüssel lösen. (**Abb. 9**)
- (2) Die Grundplatte voll nach vorne bewegen (**Abb. 10**) und die Grundplattenschraube wieder anziehen.
- (3) Die Führung durch das Führen durch das Anbringungsloch und anziehen der M5-Schraube anbringen. (**Abb. 11**)
- (4) Die Ringposition auf „0“ stellen.

**HINWEIS:**

Um genaues Schneiden bei Verwendung der Führung (Abb. 11) sicherzustellen, immer die Ringposition auf „0“ stellen.

**2. Sägen von krummen Linien**

Beim Sägen eines kleinen Kreisbogens wird die Schiebgeschwindigkeit der Maschine verringert. Wenn die Maschine zu schnell geschoben wird, könnte das zum zerbrechen des Sägeblatts führen.

**3. Schneiden eines Kreises oder eines Bogens**

Die Führung ist auch bei Kreisschnitten hilfreich. Nach Anbringen der Führung wie oben beschrieben, einen Nagel oder eine Schraube durch das Loch in der Führung in das Material treiben, und dann diesen Punkt als Mittelpunkt für das Sägen benutzen. (Abb. 12)

**HINWEIS:**

Kreisschneiden muss mit dem Sägeblatt etwa senkrecht zur unteren Oberfläche der Grundplatte durchgeführt werden.

**4. Schneiden von Metallen**

- (1) Die Drehzahleinstellung auf einen Wert zwischen „3“ und „4“ einstellen.
- (2) Die Ringposition auf „0“ oder „1“ stellen.
- (3) Immer eine angemessene Schneidflüssigkeit (Spindelöl, Seifenwasser usw.) verwenden. Wenn keine Schneidflüssigkeit zur Verfügung steht, so tragen Sie Schmierfett auf die Rückseite des zu schneidenden Materials auf.

**5. Schneiden von Löchern**

- (1) In Schnittholz  
Die Schnittrichtung wird der Faserrichtung des Holzes angepasst. Es wird Schritt für Schritt geschnitten, bis ein Fenster in der Mitte des Schnittholzes entstanden ist. (Abb. 13)
- (2) In anderen Materialien  
Beim Schneiden eines Fensters in anderen Materialien als Holz wird zu Anfang ein Loch mit einer Bohrmaschine oder einem ähnlichen Werkzeug gebohrt, von dem aus das Schneiden beginnt.

**6. Schrägschnitte**

Die Grundplatte kann für Winkelschnitte bis zu 45° nach beiden Seiten geschwenkt werden. (Abb. 14)

- (1) Die Grundplattenschraube mit dem mitgelieferten Sechskantinnenschlüssel lösen und die Grundplatte voll nach vorne bewegen. (Abb. 9, 10)
- (2) Die Skala (von 0 bis 45 Grad in Schritten von 45 Grad) des halbrunden Teils der Basis auf die Markierung [▽] an der Getriebeabdeckung ausrichten. (Abb. 15)
- (3) Die M5-Schraube wieder anziehen. (Abb. 9)
- (4) Die Ringposition auf „0“ stellen.

**HINWEIS:**

Winkelschnitte können nicht gemacht werden, wenn der Schnipseldeckel oder der Staubsammler angebracht ist.

**ANSCHLUSS AN EINEN STAUBSAUGER**

Durch Anschluss an einen Staubsauger (separat verkauft) über den Staubsammler und einen Adapter (separat verkauft) kann der größte Teil des Staubs gesammelt werden.

- (1) Den Sechskantinnenschlüssel von der Grundplatte entfernen.
- (2) Die Grundplatte voll nach vorne bewegen. (Abb. 9, 10)

- (3) Schnipseldeckel anbringen.
- (4) Den Staubsammler mit dem Adapter anbringen. (Abb. 16)
- (5) Den Adapter mit der Nase des Staubsaugers verbinden. (Abb. 16)
- (6) Den Staubsammler in das hintere Loch der Grundplatte einschieben, bis der Haken in die Nut einrastet. (Abb. 17)
- (7) Den Haken drücken, um den Staubsammler zu entfernen.

**HINWEIS:**

Tragen Sie zusätzlich eine Staubmaske, sofern vorhanden.

**BETREFFEND SÄGEN VON ROSTFREIEN STAHLBLECHEN**

**ACHTUNG:**

Zur Verhütung von Loslösen oder Beschädigung des Sägeblatts bzw. übermäßigen Verschleißes des Tauchkolbens bitte sicherstellen, dass die Grundplatte beim Sägen fest am Werkstück anliegt.

Beim sägen von rostfreien Stahlblechen die Einheit wie unten angegeben einstellen:

**1. Geschwindigkeitseinstellung**

Sägeblatt	Dicke des Materials	Drehscheibenskala
Nr. 97	1,5 bis 2,5 mm	Mittellinienstellung zwischen den Werten „2“ und „3“ auf der Skala

**HINWEIS:**

Die Drehreglerskalen-Anzeige dient nur als Bezugswert. Je höher die Geschwindigkeit ist, destoschneller wird das Material gesägt. Die Lebensdauer des Sägeblattes aber wird in diesem Fall verringert. Wenn die Geschwindigkeit zu niedrig ist, nimmt das Sägen längere Zeit in Anspruch, aber die Lebensdauer wird verlängert. Die Einstellung nach Wunsch vornehmen.

**2. Die Orbitalstellung „0“ wählen**

**HINWEIS:**

- Beim Sägen immer Sägeflüssigkeit verwenden (Ölschneidflüssigkeit), um die Lebensdauer des Sägeblattes zu verlängern.

**AUSWAHL DER SÄGEBLÄTTER**

○ **Standardzubehör**

Für maximale Leistung ist es sehr wichtig, das Sägeblatt auszuwählen, das sich bei den Eigenschaften des zu schneidenden Materials am besten eignet. Als Standardzubehör werden drei Sägeblatttypen geliefert. Die Nummer des Sägeblatts ist in der Nähe der Halterung jedes Sägeblatts eingraviert. Das geeignete Sägeblatt wird anhand der Tabelle 1 bestimmt.

**AUFBEWAHRUNG DES SECHSKANTINNENSCHLÜSSELS**

Der Sechskantinnenschlüssel kann an der Grundplatte angebracht werden. (siehe Abb. 18)

---

## WARTUNG UND INSPEKTION

---

### 1. Inspektion des Sägeblatts

Die Weiterverwendung eines stumpfen oder beschädigten Sägeblatts führt zu verminderter Schnittleistung und kann eine Überbelastung des Motors hervorrufen. Das Sägeblatt wird durch ein neues ersetzt, wenn übermäßige Abnutzung festgestellt wird.

### 2. Inspektion der Befestigungsschrauben

Alle Befestigungsschrauben werden regelmäßig inspiziert und geprüft, ob sie gut angezogen sind. Wenn sich eine der Schrauben lockert, muß sie sofort wieder angezogen werden. Geschieht das nicht, kann das zu erheblichen Gefahren führen.

### 3. Wartung des Motors

Die Motorwicklung ist das „Herz“ des Elektrowerkzeugs. Daher ist besonders sorgfältig darauf zu achten, daß die Wicklung nicht beschädigt wird und/oder mit Öl oder Wasser in Berührung kommt.

### 4. Inspektion der Kohlebürsten

Zur Erhaltung Ihrer Sicherheit und des Schutzes gegen elektrischen Schlag sollten Inspektion und Auswechseln der Kohlebürsten NUR DURCH EIN AUTORISIERTES HITACHI-WARTUNGSZENTRUM durchgeführt werden.

### 5. Auswechseln des Netzkabels

Wenn das Netzkabel des Werkzeugs beschädigt wird, muss das Werkzeug zum Auswechseln des Netzkabels an ein von Hitachi autorisiertes Wartungszentrum zurückgegeben werden.

### 6. Liste der Wartungsteile

- A: Punkt Nr.
- B: Code Nr.
- C: Verwendete Anzahl
- D: Bemerkungen

## ACHTUNG

Reparatur, Modifikation und Inspektion von Hitachi-Elektrowerkzeugen müssen durch ein Autorisiertes Hitachi-Wartungszentrum durchgeführt werden.

Diese Teileliste ist hilfreich, wenn sie dem Autorisierten Hitachi-Wartungszentrum zusammen mit dem Werkzeug für Reparatur oder Wartung ausgehändigt wird.

Bei Betrieb und Wartung von Elektrowerkzeugen müssen die Sicherheitsvorschriften und Normen beachtet werden.

## MODIFIKATIONEN

Hitachi-Elektrowerkzeuge werden fortwährend verbessert und modifiziert, um die neuesten technischen Fortschritte einzubauen.

Dementsprechend ist es möglich, daß einige Teile (z.B. Codenummern bzw. Entwurf) ohne vorherige Benachrichtigung geändert werden.

---

## Information über Betriebslärm und Vibration

Die gemessenen Werte wurden entsprechend EN60745 bestimmt und in Übereinstimmung mit ISO 4871 ausgewiesen.

Gemessener A-gewichteter Schallpegel: 97 dB (A)

Gemessener A-gewichteter Schalldruck: 86 dB (A)

Messunsicherheit KpA: 3 dB (A)

Bei der Arbeit immer einen Ohrenschutz tragen.

Der typische gewogene quadratische Mittelwert für die Beschleunigung ist 5,6 m/s<sup>2</sup> (CJ110MV), 5,2 m/s<sup>2</sup> (CJ110MVA).

---

---

## HINWEIS:

Aufgrund des ständigen Forschungs- und Entwicklungsprogramms von HITACHI sind Änderungen der hierin gemachten technischen Angaben nicht ausgeschlossen.

---



Tabelle 1 Liste der geeigneten Sägeblätter

Zu schneidendes Material	Sägeblätter	Nr. 1	Nr. 1	Nr. 11	Nr. 12,	Nr. 15	Nr. 16,	Nr. 21	Nr. 22	Nr. 41	Nr. 97	123X
		(Lang)	(Extralang)		42		46					
Materialqualität		Dicke des Materials (mm)										
Schnittholz	Allgemeines Schnittholz	Unter 105	Unter 110	10 ~ 55	Unter 20			10 ~ 55	5 ~ 40	10 ~ 65		
	Furnierplatten			5 ~ 30	Unter 10			5 ~ 30	3 ~ 20			
Eisenblech	Fließstahlblech					3 ~ 6	Unter 3				2 ~ 5	1,5 ~ 10
	Rostfreies Stahlblech										1,5 ~ 2,5	
Nichteisenmetalle	Aluminium, Kupfer, Messing					3 ~ 12	Unter 3				Unter 5	
	Aluminiumschürze					Hohe bis zu 25					Hohe bis zu 25	Hohe bis zu 30
Kunststoffe	Phenolharz, Melaminharz, usw.					5 ~ 20	Unter 6	5 ~ 15	Unter 6		5 ~ 15	
	Vinylchlorid, Acrylharz, usw.			5 ~ 30	Unter 10	5 ~ 20	Unter 5	5 ~ 30	3 ~ 20		5 ~ 15	
	Geschäumtes Polyäthylen, Geschäumtes Styrol			10 ~ 55	3 ~ 25	5 ~ 25	3 ~ 25	10 ~ 55	3 ~ 40		5 ~ 25	
Holzfaser-material	Pappe, Wellpappe			10 ~ 55	3 ~ 25			10 ~ 55	3 ~ 40			
	Hartfaserplatte					3 ~ 25	Unter 6				3 ~ 25	
	Faserplatte						Unter 6					

**HINWEIS:**

○ Der Mindest-Schnittradius von Sägeblatt Nr. 1 (Lang), Nr. 1 (Extralang), Nr. 21, Nr. 22 und Nr. 41 ist 100 mm.

## ΓΕΝΙΚΑ ΜΕΤΡΑ ΑΣΦΑΛΕΙΑΣ

### ΠΡΟΣΟΧΗ!

#### Διαβάστε όλες τις οδηγίες

Αν δεν τηρηθούν όλες οι οδηγίες που αναφέρονται παρακάτω, ενδέχεται να προκληθεί ηλεκτροπληξία, πυρκαγιά ή/και σοβαρός τραυματισμός.

Ο όρος "ηλεκτρικό εργαλείο" σε όλες τις προειδοποιήσεις που αναφέρονται παρακάτω αναφέρεται στο ηλεκτρικό εργαλείο που λειτουργεί με το ρεύμα του ηλεκτρικού δικτύου (με καλώδιο) ή στο ηλεκτρικό εργαλείο που λειτουργεί με μπαταρία (χωρίς καλώδιο).

### ΦΥΛΑΞΤΕ ΑΥΤΕΣ ΤΙΣ ΟΔΗΓΙΕΣ

#### 1) Χώρος εργασίας

a) **Διατηρείτε το χώρο εργασίας καθαρό και καλά φωτισμένο.**

Οι ακατάστατοι και οι σκοτεινοί χώροι έχουν την τάση να προκαλούν ατυχήματα.

b) **Μη χρησιμοποιείτε τα ηλεκτρικά εργαλεία σε εκρηκτικές ατμόσφαιρες, όπως όταν είναι παρόντα εύφλεκτα υγρά, αέρια ή σκόνη.**

Τα ηλεκτρικά εργαλεία δημιουργούν σπινθήρες οι οποίοι ενδέχεται να προκαλέσουν την ανάφλεξη αυτών των υλικών.

c) **Κρατήστε τα παιδιά και τους παρευρισκόμενους μακριά όταν χρησιμοποιείτε ένα ηλεκτρικό εργαλείο.** Αν αποσπαστεί η προσοχή σας, υπάρχει κίνδυνος να χάσετε τον έλεγχο.

#### 2) Ηλεκτρική ασφάλεια

a) **Τα φως των ηλεκτρικών εργαλείων πρέπει να είναι κατάλληλα για τις πρίζες.**

**Μην τροποποιήσετε ποτέ το φως με οποιονδήποτε τρόπο.**

**Μη χρησιμοποιείτε φως προσαρμογής με γειωμένα ηλεκτρικά εργαλεία.**

Τα μη τροποποιημένα φως και οι κατάλληλες πρίζες μειώνουν τον κίνδυνο ηλεκτροπληξίας.

b) **Αποφύγετε τη σωματική επαφή με γειωμένες επιφάνειες όπως σωλήνες, θερμάστρες, μαγειρικές συσκευές και ψυγεία.**

Υπάρχει αυξημένος κίνδυνος ηλεκτροπληξίας όταν το σώμα σας είναι γειωμένο.

c) **Μην εκθέτετε τα ηλεκτρικά εργαλεία στη βροχή ή σε συνθήκες υγρασίας.**

Το νερό που εισέρχεται σε ένα ηλεκτρικό εργαλείο αυξάνει τον κίνδυνο ηλεκτροπληξίας.

d) **Μην ασκείτε δύναμη στο καλώδιο. Μη χρησιμοποιείτε ποτέ το καλώδιο για να μεταφέρετε, να τραβήξετε ή να θγάλετε από την πρίζα το ηλεκτρικό εργαλείο.**

**Κρατήστε το καλώδιο μακριά από θερμότητα, λάδι, κοφτερές γωνίες και κινούμενα μέρη.**

Τα κατεστραμμένα ή μπερδεμένα καλώδια αυξάνουν τον κίνδυνο ηλεκτροπληξίας.

e) **Όταν χρησιμοποιείτε το εργαλείο σε εξωτερικό χώρο, χρησιμοποιήστε καλώδιο προέκτασης που προορίζεται για χρήση σε εξωτερικό χώρο.**

Η χρήση ενός καλώδιου κατάλληλου για εξωτερικό χώρο μειώνει τον κίνδυνο ηλεκτροπληξίας.

#### 3) Προσωπική ασφάλεια

a) **Να είστε σε ετοιμότητα, να βλέπετε αυτό που κάνετε και να χρησιμοποιείτε την κοινή λογική όταν χρησιμοποιείτε ένα ηλεκτρικό εργαλείο.**

**Μη χρησιμοποιείτε ηλεκτρικά εργαλεία όταν είστε κουρασμένοι ή υπό την επήρεια ναρκωτικών ουσιών, οινοπνεύματος ή φαρμάκων.**

Μια στιγμή απροσεξίας κατά τη χρήση ενός ηλεκτρικού εργαλείου μπορεί να προκαλέσει σοβαρό προσωπικό τραυματισμό.

b) **Χρησιμοποιείτε εξοπλισμό ασφαλείας, Να φοράτε πάντοτε προστατευτικά γυαλιά για τα μάτια.**

Εξοπλισμός ασφαλείας όπως μάσκα για τη σκόνη, αντιολισθητικά υποδήματα, σκληρό κάλυμμα κεφαλής ή προστατευτικά ακοής που χρησιμοποιούνται στις αντίστοιχες συνθήκες μειώνουν τις πιθανότητες τραυματισμού.

c) **Να αποφεύγετε την κατά λάθος έναρξη λειτουργίας. Να βεβαιώνετε ότι ο διακόπτης είναι στην κλειστή θέση (off) πριν τοποθετήσετε το φως στην πρίζα.**

Η μεταφορά ηλεκτρικών εργαλείων με το δάχτυλο στο διακόπτη λειτουργίας ή η σύνδεση ηλεκτρικών εργαλείων στο ρεύμα με το διακοπτή ανοιχτό αυξάνει τις πιθανότητες ατυχήματος.

d) **Να αφαιρείτε τυχόν κλειδιά ρυθμιζόμενου ανοιγματος ή τα απλά κλειδιά πριν θέσετε σε λειτουργία το ηλεκτρικό εργαλείο.**

Ένα απλό κλειδί ή ένα κλειδί ρυθμιζόμενου ανοιγματος που είναι προσαρτημένο σε περιτρεφόμενο εξάρτημα του ηλεκτρικού εργαλείου μπορεί να προκαλέσει προσωπικό τραυματισμό.

e) **Μην τεντώνετε. Να διατηρείτε πάντοτε το κατάλληλο πάτημα και την ισορροπία σας.**

Με αυτόν τον τρόπο μπορείτε να ελέγχετε καλύτερα το ηλεκτρικό εργαλείο σε μη αναμενόμενες καταστάσεις.

f) **Να είστε ντυμένοι κατάλληλα. Μη φοράτε φαρδιά ρούχα ή κοσμήματα. Να κρατάτε τα μαλλιά σας, τα ρούχα σας και τα γάντια σας μακριά από κινούμενα μέρη.**

Τα φαρδιά ρούχα, τα κοσμήματα και τα μακριά μαλλιά μπορεί να πιαστούν σε κινούμενα μέρη.

g) **Αν παρέχονται εξαρτήματα για τη σύνδεση συσκευών εξαγωγής και συλλογής σκόνης, να βεβαιώνετε ότι είναι συνδεδεμένα και χρησιμοποιούνται με το σωστό τρόπο.**

Η χρήση αυτών των συσκευών μπορεί να μειώσει τους κινδύνους που σχετίζονται με τη σκόνη.

#### 4) Χρήση και φροντίδα ηλεκτρικών εργαλείων

a) **Μην ασκείτε δύναμη στο ηλεκτρικό εργαλείο. Να χρησιμοποιείτε το ηλεκτρικό εργαλείο που είναι κατάλληλο για το είδος της εργασίας που εκτελείτε.** Το κατάλληλο ηλεκτρικό εργαλείο θα εκτελέσει την εργασία καλύτερα και με μεγαλύτερη ασφάλεια με τον τρόπο που σχεδιάστηκε.

b) **Μη χρησιμοποιήσετε το ηλεκτρικό εργαλείο αν ο διακόπτης λειτουργίας δεν ανοίγει και δεν κλείνει.** Ένα ηλεκτρικό εργαλείο που δεν ελέγχεται από το διακόπτη λειτουργίας είναι επικίνδυνο και πρέπει να επισκευαστεί.

c) **Βγάλετε το φως από την πρίζα πριν κάνετε οποιαδήποτε ρυθμίσεις, αλλάξει εξαρτήματα ή αποθηκεύσετε το ηλεκτρικό εργαλείο.**

Αυτά τα προληπτικά μέτρα ασφαλείας μειώνουν τον κίνδυνο να ξεκινήσει το ηλεκτρικό εργαλείο κατά λάθος.

- d) Αποθηκεύετε τα εργαλεία που δεν χρησιμοποιείτε μακριά από παιδιά και μην αφήνετε τα άτομα που δεν είναι εξοικειωμένα με το ηλεκτρικό εργαλείο ή με αυτές τις οδηγίες να χρησιμοποιούν το ηλεκτρικό εργαλείο.

Τα ηλεκτρικά εργαλεία είναι επικίνδυνα στα χέρια μη εκπαιδευμένων ατόμων.

- e) Συντηρείτε τα ηλεκτρικά εργαλεία. Να ελέγχετε την ευθυγράμμιση τους ή το μπλοκάρισμα των κινούμενων μερών, τη θραύση των εξαρτημάτων και οποιαδήποτε άλλη κατάσταση που ενδέχεται να επηρεάσει τη λειτουργία του ηλεκτρικού εργαλείου.

Σε περίπτωση βλάβης, το ηλεκτρικό εργαλείο πρέπει να επισκευαστεί πριν χρησιμοποιηθεί.

Πολλά ατυχήματα προκαλούνται από ηλεκτρικά εργαλεία που δεν έχουν συντηρηθεί σωστά.

- f) Διατηρείτε τα εργαλεία κοπής κοφτερά και καθαρά. Τα κατάλληλα συντηρημένα εργαλεία κοπής με κοφτερές γωνίες μπλοκάρουν πιο δύσκολα και ελέγχονται πιο εύκολα.

- g) Χρησιμοποιείτε το ηλεκτρικό εργαλείο, τα εξαρτήματα, τις μύτες των εργαλείων κλπ., σύμφωνα με αυτές τις οδηγίες και με τρόπο που είναι κατάλληλος για τον συγκεκριμένο τύπο ηλεκτρικού εργαλείου, λαμβάνοντας υπόψη τις συνθήκες εργασίας και την εργασία που πρόκειται να εκτελεστεί.

Η χρήση του ηλεκτρικού εργαλείου σε λειτουργίες διαφορετικές από εκείνες για τις οποίες προορίζεται μπορεί να δημιουργήσει επικίνδυνες καταστάσεις.

#### 5) Σέρβις

- a) Να δίνετε το ηλεκτρικό εργαλείο για σέρβις σε κατάλληλα εκπαιδευμένα άτομα και να χρησιμοποιείτε μόνο γνήσια ανταλλακτικά.

Με αυτόν τον τρόπο είστε σίγουροι για την ασφάλεια του ηλεκτρικού εργαλείου.

#### ΠΡΟΦΥΛΑΞΗ

Μακριά από τα παιδιά και τους αναπήρους.

Όταν δεν χρησιμοποιούνται, τα εργαλεία πρέπει να φυλάσσονται μακριά από τα παιδιά και τους αναπήρους.

#### ΠΡΟΦΥΛΑΚΤΙΚΑ ΜΕΤΡΑ ΠΑΝΩ ΣΤΗ ΧΡΗΣΗ ΤΗΣ ΣΕΓΑΣ

Αυτό το μηχάνημα χρησιμοποιεί ένα μοτέρ ισχυρής υποδύναμης. Αν το μηχάνημα χρησιμοποιείται συνεχώς σε χαμηλή ταχύτητα, ένα επιπρόσθετο φορτίο επιβαρύνει το μοτέρ, το οποίο μπορεί να προκαλέσει το σταμάτημα του μοτέρ. Πάντοτε να χειρίζεστε το ηλεκτρικό εργαλείο έτσι ώστε η λεπίδα να μην πιάνεται από το υλικό κατά την λειτουργία. Πάντοτε να προσαρμόζετε την ταχύτητα της λεπίδας για να διασφαλίσετε την ομαλή κοπή.

#### ΤΕΧΝΙΚΑ ΧΑΡΑΚΤΗΡΙΣΤΙΚΑ

Τάση (ανά περιοχές)*	(110V, 115V, 120V, 127V, 220V, 230V, 240V) ~
Ισχύς Εισόδου*	720W
Μεγ. Βάθος Κοπής	Ξύλο 110 mm Μαλακό Ατσάλι 10 mm
Ταχύτητα χωρίς φορτίο	850 – 3000min <sup>-1</sup>
Διαδρομή	26 mm
Ελαχ. Ακτίνα Κοπής	25 mm
Βάρος (χωρίς καλώδιο)	2,2 kg

\* Βεβαιωθείτε να ελέγξετε την πινακίδα στο προϊόν επειδή υπόκεινται σε αλλαγή σε εξάρτηση από την περιοχή.

#### ΚΑΝΟΝΙΚΑ ΕΞΑΡΤΗΜΑΤΑ

- (1) Λεπίδες (Αρ. 41) ..... 1  
Ανατρέξτε στον Πίνακα 1 για την χρήση των λεπίδων.
- (2) Εξάγωνο κλειδί Άλεν ..... 1
- (3) Προφυλακτικής σχίζας ..... 1
- (4) Συλλέκτης σκόνης ..... 1
- (5) Κάλυμμα ριμισμάτων ..... 1
- Τα κανονικά εξαρτήματα μπορούν να αλλάξουν χωρίς προειδοποίηση.

#### ΟΠΡΟΑΙΡΕΤΙΚΑ ΕΞΑΡΤΗΜΑΤΑ

... Πωλούνται ξεχωριστά

- (1) Διάφοροι τύποι λεπίδων  
Ανατρέξτε στον Πίνακα 1 για τη χρήση των λεπίδων.
- (2) Οδηγός
- (3) Υπό βάση

- (4) Στήριγμα πάγκου (Μοντέλο TR12-B)

Τα προαιρετικά εξαρτήματα υπόκεινται σε αλλαγή χωρίς προειδοποίηση.

#### ΕΦΑΡΜΟΓΕΣ

- Κοπή διάφορων τύπων ξυλείας και άνοιγμα κοιλοτήτων
- Κοπή φύλλων μαλακού ατσαλιού, αλουμινένιων φύλλων, και φύλλων χαλκού
- Κοπή συνθετικών ρητινών, όπως φαινολικές ρητίνες, και βινυλοχλωρίδιο
- Κοπή λεπτών και μαλακών οικοδομικών υλικών
- Κοπή φύλλων ανοξειδωτου ατσαλιού (με Αρ 97 λεπίδα)

## ΠΡΙΝ ΤΗ ΛΕΙΤΟΥΡΓΙΑ

### 1. Πηγή ρεύματος

Βεβαιωθείτε ότι η πηγή ρεύματος που πρόκειται να χρησιμοποιηθεί είναι εναρμονισμένη με τις απαιτήσεις σε ρεύμα που αναφέρονται στην πινακίδα του εργαλείου.

### 2. Διακόπτης ρεύματος

Βεβαιωθείτε ότι ο διακόπτης ρεύματος βρίσκεται στη θέση OFF. Αν το βίσμα είναι στη μπρίζα καθώς ο διακόπτης ρεύματος βρίσκεται στο ON, το εργαλείο θα αρχίσει να λειτουργεί αμέσως, με πιθανότητα πρόκλησης σοβαρού ατυχήματος.

### 3. Καλώδιο προέκτασης

Όταν ο χώρος εργασίας βρίσκεται μακριά από την παροχή ρεύματος, χρησιμοποιήστε ένα καλώδιο προέκτασης με κατάλληλο πάχος και ικανότητα μεταφοράς ρεύματος. Το καλώδιο προέκτασης πρέπει να είναι τόσο κοντό όσο είναι πρακτικά δυνατό.

### 4. Σκόνη που παράγεται κατά τη λειτουργία

Η σκόνη που παράγεται στην κανονική λειτουργία μπορεί να επηρεάσει την υγεία του χρήστη. Κάποιος από τους παρακάτω τρόπους προτείνεται.

α) Φοράτε μια μάσκα σκόνης

β) Χρησιμοποιήστε αυτόνομη μηχανή για συλλογή σκόνης.

Όταν χρησιμοποιείτε την μηχανή συλλογής σκόνης, συνδέστε τον προσαρμογέα στον σωλήνα του μηχανήματος συλλογής σκόνης.

### 5. Αλλαγή λεπίδων

(1) Ανοίξτε το μοχλό μέχρι το σημείο του στοπ. (Εικ. 1-I)

(2) Αφαιρέστε την στερεωμένη λεπίδα.

(3) Βάλτε την καινούργια λεπίδα μέχρι το στοπ στο στήριγμα λεπίδας. (Εικ. 1-II)

(4) Κλείστε το μοχλό. (Εικ. 1-III)

### ΠΡΟΣΟΧΗ:

○ Βεβαιωθείτε να κλείσετε το διακόπτη του ρεύματος OFF και να αποσυνδέσετε το βύσμα από την πρίζα όταν αλλάζετε λεπίδες.

○ Μην ανοίξετε το μοχλό όταν το έμβολο μετακινείται.

### ΣΗΜΕΙΩΣΗ:

○ Επιβεβαιώστε ότι οι προερχόμενες της λεπίδας έχουν μπει καλά μέσα στο στήριγμα της λεπίδας. (Εικ. 2)

○ Επιβεβαιώστε ότι η λεπίδα βρίσκεται ανάμεσα στην αλόκωση του κυλίνδρου. (Εικ. 3)

### 6. Ρύθμιση της λειτουργικής ταχύτητας της λεπίδας

Αυτή η σέγα είναι εφοδιασμένη με ένα ηλεκτρονικό κύκλωμα ελέγχου το οποίο καθιστά ικανό τον συνεχή έλεγχο της ταχύτητας. Για τη ρύθμιση της ταχύτητας, περιστρέψτε το καντράν που φαίνεται στην Εικ. 4. Όταν το καντράν είναι ρυθμισμένο στο "1", η σέγα λειτουργεί στη χαμηλότερη ταχύτητα ( $850\text{min}^{-1}$ ). Όταν το καντράν είναι τοποθετημένο στο "5", η σέγα λειτουργεί στη μέγιστη ταχύτητα ( $3000\text{min}^{-1}$ ). Ρυθμίστε την ταχύτητα ανάλογα με το υλικό που κόβεται και την απόδοση εργασίας.

### ΠΡΟΣΟΧΗ:

Στη χαμηλή ταχύτητα (ρύθμιση καντράν: 1 ή 2) μην κόβετε ξύλο με πάχος περισσότερο από 10 mm ή μέταλλο με πάχος περισσότερο από 1 mm.

### 7. Ρύθμιση της παλινδρομική λειτουργίας.

(1) Αυτή η σέγα είναι εφοδιασμένη με την παλινδρομική λειτουργία η οποία κινεί την λεπίδα πίσω και εμπρός, καθώς επίσης πάνω και κάτω. Ρυθμίστε το κουμπί αλλαγής που φαίνεται στην Εικ. 5 στο "0" για να εξελιφίσετε παλινδρομική λειτουργία (η λεπίδα κινείται μόνο πάνω κάτω). Η παλινδρομική λειτουργία μπορεί να επιλεγεί σε 4 βήματα από το "0" στο "III".

(2) Για το σκληρό υλικό, όπως φύλλο ατσάλιου, κλπ., ελαττώστε την παλινδρομική λειτουργία. Για μαλακό υλικό, όπως ξυλεία, πλαστικό, κλπ., αυξήστε την παλινδρομική λειτουργία για να αυξήσετε την απόδοση της εργασίας. Για να κόψετε το υλικό με ακρίβεια, ελαττώστε την παλινδρομική λειτουργία.

### 8. Κοπή φύλλων ανοξειδωτου ατσάλιου

Αυτή η σέγα μπορεί να κόψει φύλλα ανοξειδωτου ατσάλιου χρησιμοποιώντας Αρ. 97 λεπίδα.

Προσεκτικά διαβάστε το "Σχετικά με την κοπή φύλλων ανοξειδωτου ατσάλιου" για την κατάλληλη λειτουργία.

### 9. Προφυλακτήρας σχίζας

Η χρήση του προφυλακτήρα σχίζας κατά την κοπή ξύλινων υλικών θα ελαττώσει το σχίσιμο των επιφανειών κοπής. Βάλτε τον προφυλακτήρα σχίζας στο χώρο πάνω στη βάση, και σπρώξτε. (Βλέπε Εικ. 6)

### 10. Κάλυμμα ριμισμάτων

Το κάλυμμα ριμισμάτων αποτρέπει το πέταγμα ριμισμάτων και βελτιώνει την αποδοτικότητα του συλλέκτη σκόνης.

Βάλτε το κάλυμμα ριμισμάτων ανάμεσα στη βάση και στο μοχλό, και σπρώξτε με ελαφριά πίεση μέχρι να πιαστεί στη θέση του. (Εικ. 7)

Όταν αφαιρέτε το κάλυμμα ριμισμάτων, κρατήστε τα κουμπιά από τις δύο πλευρές και ελαφρά ανοίξετε το μέχρι να μπορεί να αφαιρεθεί από την Σέγα. (Εικ. 8)

### ΣΗΜΕΙΩΣΗ:

Υπάρχει πιθανότητα το κάλυμμα ριμισμάτων να είναι παγωμένο όταν κόβεται το μέταλλο.

### 11. Υπό Βάση

Η χρήση της υπό βάσης (φτιαγμένη από ατσάλι) θα ελαττώσει το ξύσιμο της βάσης αλουμινίου ειδικότερα κατά την κοπή μετάλλων.

Η χρήση της υπό βάσης (φτιαγμένη από ρητίνη) θα ελαττώσει το ξύσιμο της επιφάνειας κοπής. Συνδέστε την υπό βάση στην κάτω επιφάνεια της βάσης με τις συνδεδεμένες 4 βίδες.

### 12. Άναμμα της λάμπας

Για να ανάψτε τη λάμπα, πιέστε τη σκανδάλη.

Ελευθερώστε τη σκανδάλη για να τη σβήσετε.

### ΣΗΜΕΙΩΣΗ:

Μη κοιτάτε το φως ή βλέπετε τη πηγή φωτός κατευθείαν.

## ΚΟΠΗ

### ΠΡΟΣΟΧΗ:

○ Για την αποφυγή της αποκόλλησης της λάμψας, της ζημιάς ή της υπερβολικής φθοράς του Εμβόλου, παρακαλώ βεβαιωθείτε ότι το αντικείμενο εργασίας εφάπτεται πάνω στην επιφάνεια της πλάκας βάσεως κατά το πριόνισμα.

**1. Ευθύγραμμη κοπή**

Όταν κόβετε σε ευθεία γραμμή, πρώτα κάνετε για σημάδι μια οδηγητική γραμμή και προχωρήσετε τη σέγα κατά μήκος αυτής της γραμμής. Χρησιμοποιώντας τον οδηγό (πωλείται ξεχωριστά) θα καταστεί δυνατόν να κόψετε με ακρίβεια σε ευθεία γραμμή.

- (1) Χαλαρώστε το μπουλόνι της βάσης χρησιμοποιώντας ένα εξάγωνο κλειδί Άλεν που είναι στερεωμένο στη βάση. **(Εικ. 9)**
- (2) Μετακινήστε την βάση πλήρως προς τα εμπρός **(Εικ. 10)**, και σφίξτε το μπουλόνι της βάσης ξανά.
- (3) Συνδέστε τον οδηγό περνώντας τον ανάμεσα στη τρύπα σύνδεσης στη βάση και σφίξτε το Μ5 μπουλόνι. **(Εικ. 11)**
- (4) Ρυθμίστε τη θέση τροχιάς στο "0".

**ΣΗΜΕΙΩΣΗ:**

Για την διασφάλιση της ακριβούς κοπής κατά την χρήση του Οδηγού **(Εικ. 11)** πάντοτε να ρυθμίζετε τη θέση τροχιάς στο "0".

**2. Πριόνισμα καμπυλωτών γραμμών**

Όταν πριονίζετε ένα μικρό καμπυλωτό τόξο, ελαττώστε την ταχύτητα τροφοδοσίας του μηχανήματος. Αν το μηχάνημα τροφοδοτηθεί πολύ γρήγορα, μπορεί να προκαλέσει το πράσιμο της λεπίδας.

**3. Κοπή ενός κύκλου ή κυκλικού τόξου**

Ο οδηγός μπορεί επίσης να είναι χρήσιμος για κυκλική κοπή.

Αφότου γίνει η σύνδεση του οδηγού κατά τον ίδιο τρόπο που περιγράφηκε παραπάνω, βάλτε ένα καρφι ή μια βίδα μέσα στο υλικό μέσω της τρύπας του οδηγού, μετά χρησιμοποιήστε το ως άξονα κατά την κοπή. **(Εικ. 12)**

**ΣΗΜΕΙΩΣΗ:**

Η κυκλική κοπή πρέπει να γίνει με μια λεπίδα κατά προσέγγιση κάθετη στην κάτω επιφάνεια της βάσης.

**4. Κοπή μεταλλικών υλικών**

- (1) Ρυθμίστε το Καντράν της ταχύτητας ανάμεσα στις κλίμακες "3" και "4".
- (2) Ρυθμίστε τη θέση τροχιάς στο "0" ή στο "I".
- (3) Πάντοτε να χρησιμοποιείτε το κατάλληλο υγρό κοπής (αξονέλαιο, σαπουνόνερο κλπ.). Όταν δεν είναι διαθέσιμο το υγρό κοπής, βάλτε γράσο στην πίσω πλευρά του υλικού που πρόκειται να κοπή.

**5. Κοπή κοιλότητας**

- (1) Σε ξυλεία  
Ευθυγραμμίστε την διεύθυνση της λεπίδας με τα νερά του ξύλου, κόβετε βήμα-βήμα μέχρι να κοπεί μια κοιλότητα στο κέντρο της ξυλείας. **(Εικ. 13)**
- (2) Σε άλλα υλικά  
Όταν κόβετε μια κοιλότητα σε υλικά διαφορετικά από ξυλεία, αρχικά ανοίξετε μια τρύπα με ένα τρυπάνι ή κάποιο παρόμοιο εργαλείο από την οποία θα αρχίσετε το κόψιμο.

**6. Γωνιακή κοπή**

Η βάση μπορεί να στραφεί μέχρι 45ο για γωνιακή κοπή. **(Εικ. 14)**

- (1) Ξεσφίξτε το μπουλόνι της βάσης με το εξάγωνο κλειδί Άλεν συνδεδεμένο στη βάση και μετακινήστε την βάση πλήρως προς τα εμπρός. **(Εικ. 9, 10)**
- (2) Ευθυγραμμίστε την κλίμακα (από 0 μοίρες στις 45 μοίρες ανά 15-μοίρες διαστήματα) του ημικυκλικού τμήματος της βάσης με το [✓] σημάδι στο κάλυμμα των ταχυτήτων. **(Εικ. 15)**

- (3) Σφίξτε το Μ5μπουλόνι ξανά. **(Εικ. 9)**

- (4) Ρυθμίστε τη θέση τροχιάς στο "0".

**ΣΗΜΕΙΩΣΗ:**

Η γωνιακή κοπή δεν μπορεί να γίνει όταν χρησιμοποιείτε το κάλυμμα ρινισμάτων ή το συλλέκτη σκόνης.

**ΣΥΝΔΕΣΗ ΜΕ ΤΟΝ ΚΑΘΑΡΙΣΤΗ**

Μέσω της σύνδεσης με τον καθαριστή (πωλείται ξεχωριστά) μέσω του συλλέκτη σκόνης και του προσαρμογέα (πωλείται ξεχωριστά), η περισσότερη σκόνη μπορεί να συλλεχθεί.

- (1) Αφαιρέστε το εξάγωνο κλειδί Άλεν από τη βάση.
- (2) Μετακινήστε τη βάση πλήρως προς τα εμπρός. **(Εικ. 9, 10)**
- (3) Συνδέστε το κάλυμμα των ρινισμάτων.
- (4) Συνδέστε τον συλλέκτη σκόνης με τον προσαρμογέα. **(Εικ. 16)**
- (5) Συνδέστε τον προσαρμογέα με το άκρο του καθαριστή. **(Εικ. 16)**
- (6) Βάλτε τον συλλέκτη σκόνης μέσα στην πίσω τρύπα της βάσης μέχρι που το άγκιστρο να πιαστεί από την εγκοπή. **(Εικ. 17)**
- (7) Πατήστε το άγκιστρο για να αφαιρέσετε τον συλλέκτη σκόνης.

**ΣΗΜΕΙΩΣΗ:**

Φορέστε επίσης τη μάσκα σκόνης, εάν υπάρχει.

**ΣΧΕΤΙΚΑ ΜΕ ΤΗΝ ΚΟΠΗ ΦΥΛΛΩΝ ΑΝΟΞΕΙΔΩΤΟΥ ΑΤΣΑΛΙΟΥ****ΠΡΟΣΟΧΗ:**

Για την αποφυγή της αποκόλλησης της λάμας, της ζημιάς ή της υπερβολικής φθοράς του Εμβόλου, παρακαλώ βεβαιωθείτε ότι το αντικείμενο εργασίας εφάπτεται πάνω στην επιφάνεια της πλάκας βάσεως κατά το πριόνισμα.

Κατά την κοπή φύλλων ανοξείδωτου ατσαλιού, ρυθμίστε το εργαλείο όπως περιγράφεται παρακάτω:

**1. Ρύθμιση της ταχύτητας**

Λεπίδα	Πάχος υλικού	Κλίμακα καντράν
Αρ. 97	1,5 - 2,5 mm	Θέση μεσαίας αυλάκωσης ανάμεσα στις κλίμακες "2" και "3"

**ΣΗΜΕΙΩΣΗ:**

Η διαβάθμιση της κλίμακας του καντράν είναι ενδεικτική μόνο. Όσο μεγαλύτερη η ταχύτητα, τόσο γρηγορότερα το υλικό κόβεται. Όμως η διάρκεια ζωής της λεπίδας ελαττώνεται σε αυτή την περίπτωση. Όταν η ταχύτητα είναι πολύ χαμηλή, η κοπή θα διαρκέσει μεγαλύτερο χρόνο, παρότι η διάρκεια ζωής θα επεκταθεί. Πραγματοποιήστε τις προσαρμογές ανάλογα με την επιθυμία σας.

**2. Ρυθμίστε την θέση προσαρμογής στο "0"****ΣΗΜΕΙΩΣΗ:**

- Κατά την κοπή χρησιμοποιήστε υγρό κοπής (υγρό κοπής με βάση το λάδι) για να επεκτείνετε την διάρκεια ζωής της λεπίδας.

## ΕΠΙΛΟΓΗ ΛΕΠΙΔΩΝ

### ○ Ανταλλακτικές λεπίδες

Για την διασφάλιση της μέγιστης λειτουργικής απόδοσης και των αποτελεσμάτων, είναι πολύ σημαντικό να επιλέξετε την κατάλληλη λεπίδα που ταιριάζει απόλυτα στον τύπο και στο πάχος του υλικού που πρόκειται να κοπεί. Τρία είδη λεπίδων παρέχονται ως κανονικά εξαρτήματα. Ο αριθμός της λεπίδας είναι χαραγμένος κοντά στο τμήμα στερέωσης της κάθε λεπίδας. Επιλέξτε τις κατάλληλες λεπίδες ανατρέχοντας στον **Πίνακα 1**.

## ΣΤΕΡΕΩΣΗ ΤΟΥ ΕΞΑΓΩΝΟΥ ΚΛΕΙΔΙΟΥ ΑΛΕΝ

Είναι εφικτή η στερέωση του εξαγωνίου κλειδιού Άλεν στη βάση. (Βλέπε **Εικ. 18**)

## ΣΥΝΤΗΡΗΣΗ ΚΑΙ ΕΛΕΓΧΟΣ

### 1. Επιθεώρηση της λεπίδας

Η συνεχής χρήση μιας αμβλύς λεπίδας θα προκαλέσει την μειωμένη απόδοση κοπής και μπορεί να προκαλέσει την υπερφόρτιση του μοτέρ. Αντικαταστήστε την λεπίδα με μια καινούργια όταν παρατηρηθεί η υπερβολική φθορά.

### 2. Έλεγχος των βιδών στερέωσης

Ελέγχετε περιοδικά όλες τις βίδες στερέωσης και βεβαιωθείτε ότι είναι κατάλληλα σφιγμένες. Στην περίπτωση που χαλαρώσει οποιαδήποτε βίδα σφίξτε την ξανά αμέσως. Αν δεν το κάνετε αυτό μπορεί να έχει ως αποτέλεσμα το σοβαρό τραυματισμό.

### 3. Συντήρηση του μοτέρ

Η περιέλιξη της μονάδα του μοτέρ είναι η “καρδιά” του ηλεκτρικού εργαλείου. Δώστε μεγάλη προσοχή για να σιγουρευτείτε ότι η περιέλιξη δεν θα πάθει ζημιά και / ή θα βρεχθεί με λάδι ή νερό.

### 4. Έλεγχος στα καρβουνάκια

Για την συνεχιζόμενη ασφάλεια σας και την προστασία σας από την ηλεκτροπληξία, ο έλεγχος στα καρβουνάκια και η αντικατάσταση αυτού του εργαλείου πρέπει ΜΟΝΟ να γίνεται από ένα ΕΞΟΥΣΙΟΔΟΤΗΜΕΝΟ ΚΕΝΤΡΟ ΣΕΡΒΙΣ ΤΗΣ HITACHI.

### 5. Αντικατάσταση του καλωδίου παροχής ρεύματος

Αν το καλώδιο παροχής ρεύματος του εργαλείου πάθει ζημιά, το εργαλείο πρέπει να επιστραφεί στο Εξουσιοδοτημένο Κέντρο Εξυπηρέτησης Hitachi για να αντικατασταθεί.

### 6. Λίστα συντήρησης των μερών

A: Αρ. Αντικειμένου

B: Αρ. Κωδικού

C: Αρ. που χρησιμοποιήθηκε

D: Παρατηρήσεις

### ΠΡΟΣΟΧΗ

Η επισκευή, η τροποποίηση και ο έλεγχος των Ηλεκτρικών Εργαλείων Hitachi πρέπει να γίνεται από ένα Εξουσιοδοτημένο Κέντρο Σέρβις της Hitachi. Αυτή η Λίστα των Μερών θα είναι χρήσιμη αν παρουσιαστεί μαζί με το εργαλείο στο Εξουσιοδοτημένο Κέντρο Σέρβις της Hitachi όταν ζητάτε επισκευή ή κάποια άλλη συντήρηση. Κατά τον έλεγχο και τη συντήρηση των ηλεκτρικών εργαλείων, οι κανόνες ασφαλείας και οι κανονισμοί που υπάρχουν σε κάθε χώρα πρέπει να ακολουθούνται.

## ΤΡΟΠΟΠΟΙΗΣΗ

Τα Ηλεκτρικά Εργαλεία Hitachi βελτιώνονται συνεχώς και τροποποιούνται για να συμπεριλάβουν τις τελευταίες τεχνολογικές προόδους. Κατά συνέπεια, ορισμένα τμήματα (δηλ. κωδικοί αριθμοί και / ή σχεδιασμός) μπορούν να αλλάξουν χωρίς προηγούμενη ειδοποίηση.

## ΣΗΜΕΙΩΣΗ:

Εξαιτίας του συνεχιζόμενου προγράμματος έρευνας και ανάπτυξης της HITACHI τα τεχνικά χαρακτηριστικά που εδώ αναφέρονται μπορούν να αλλάξουν χωρίς προηγούμενη ειδοποίηση.

## Πληροφορίες που αφορούν τον εκπεμπόμενο θόρυβο και τη δόνηση

Οι τιμές μετρήθηκαν σύμφωνα με το EN60745 και βρέθηκαν σύμφωνες με το ISO 4871.

Μετρηθείσα τυπική στάθμη ηχητικής ισχύος A: 97 dB (A)

Μετρηθείσα τυπική στάθμη ηχητικής πίεσης A: 86 dB (A)

Αβεβαιότητα Κρα: 3 dB (A)

Φοράτε προστατευτικά αυτιά.

Μια τυπική τιμή ρίζας μέσης τετραγωνικής επιτάχυνσης: 5,6 m/s<sup>2</sup> (CJ110MV), 5,2 m/s<sup>2</sup> (CJ110MVA).

Πίνακας 1 Λίστα κατάλληλων λεπίδων

Υλικό προς κοπή	Λεπίδα	Αρ. 1	Αρ. 1	Αρ. 11	Αρ. 12,	Αρ. 15	Αρ. 16,	Αρ. 21	Αρ. 22	Αρ. 41	Αρ. 97	123X
		(Μακριά)	(Υπερβολικά Μακρύ)		42		46					
Ποιότητα υλικού		Πάχος του υλικού (mm)										
Ξυλεία	Γενική ξυλεία	Κάτω 105	Κάτω 110	10 ~ 55	Κάτω 20			10 ~ 55	5 ~ 40	10 ~ 65		
	Κόντρα πλακέ			5 ~ 30	Κάτω 10			5 ~ 30	3 ~ 20			
Φύλλο σιδήρο	Φύλλο μαλακού ατσαλιού					3 ~ 6	Κάτω 3				2 ~ 5	1,5 ~ 10
	Φύλλο ανοξειδωτου ατσαλιού										1,5 ~ 2,5	
Μη σιδηρούχο μέταλλο	Αλουμίνιο, χαλκός, μπρούτζος					3 ~ 12	Κάτω 3				Κάτω 5	
	Πλαίσιο αλουμινίου					Ύψος μέχρι το 25					Ύψος μέχρι το 25	Ύψος μέχρι το 30
Πλαστικά	Φαινολική ρητίνη, μελαμίνη, ρητίνη, κλπ.					5 ~ 20	Κάτω 6	5 ~ 15	Κάτω 6		5 ~ 15	
	Βινυλοχλωρίδιο, ακρυλική ρητίνη, κλπ.			5 ~ 30	Κάτω 10	5 ~ 20	Κάτω 5	5 ~ 30	3 ~ 20		5 ~ 15	
	Αφρώδης πολυαιθυλένιο, αφρώδης στυρόλη			10 ~ 55	3 ~ 25	5 ~ 25	3 ~ 25	10 ~ 55	3 ~ 40		5 ~ 25	
Πολφός	Χαρτόνι, αυλακωτό χαρτί			10 ~ 55	3 ~ 25			10 ~ 55	3 ~ 40			
	Σκληρή επιφάνεια					3 ~ 25	Κάτω 6				3 ~ 25	
	Ινώδης επιφάνεια						Κάτω 6					

**ΣΗΜΕΙΩΣΗ:**

- Η ελάχιστη ακτίνα κοπής των Αρ. 1 (Μακριά), Αρ. 1 (Υπερβολικά Μακρύ), Αρ. 21, Αρ. 22 και Αρ. 41 λεπίδων είναι 100 mm.

## OGÓLNE WSKAZÓWKI BEZPIECZEŃSTWA

### OSTRZEŻENIE!

#### Należy przeczytać wszystkie instrukcje

Nieprzestrzeganie któregośkolwiek z zamieszczonych poniżej zaleceń może być przyczyną porażenia prądem elektrycznym, pożaru i/lub poważnych obrażeń ciała. Występujące w poniższych ostrzeżeniach wyrażenie "urządzenie elektryczne" oznacza urządzenia zasilane z sieci elektrycznej (za pomocą przewodu) lub baterii (bezprowodowo).

### INSTRUKCJE POWINNY BYĆ ZACHOWANE NA PRZYSZŁOŚĆ

#### 1) Miejsce pracy

- Miejsce pracy powinno być uprzątnięte i czyste.**  
*W miejscach nieuporządkowanych i źle oświetlonych ryzyko wypadku jest większe.*
- Należy używać urządzeń elektrycznych w przypadku zagrożenia wybuchem, na przykład w obecności łatwopalnych płynów, gazów lub pyłów.**  
*Urządzenia elektryczne wytwarzają iskry, które mogą spowodować zapłon pyłu.*
- Dzieci i osoby postronne nie powinny znajdować się w pobliżu pracującego urządzenia elektrycznego.**  
*Odwrócenie uwagi użytkownika może spowodować utratę kontroli nad urządzeniem.*

#### 2) Bezpieczeństwo elektryczne

- Wtyczka urządzenia elektrycznego musi być odpowiednia do gniazdka.**  
**Nigdy nie należy w jakikolwiek sposób przerabiać wtyczki.**  
**Nie używać jakichkolwiek elementów łączących z urządzeniami wymagającymi uziemienia.**  
*Używanie tylko oryginalnych wtyczek pasujących do gniazdka ogranicza ryzyko porażenia prądem elektrycznym.*
- Unikać kontaktu z przedmiotami uziemionymi, takimi jak rury, kaloryfery, kuchenki i urządzenia chłodnicze.**  
*W przypadku dotykania uziemienia ryzyko porażenia prądem elektrycznym jest większe.*
- Nie narażać urządzeń elektrycznych na działanie deszczu lub wilgoci.**  
*Przedostanie się wody do urządzenia zwiększa ryzyko porażenia prądem elektrycznym.*
- Odpowiednio używać przewodów zasilających. Nigdy nie wykorzystywać przewodu do przenoszenia lub ciągnięcia urządzenia lub też wyciągnięcia wtyczki z gniazdka.**  
**Utrzymywać przewód z dala od źródeł ciepła, oleju, ostrych krawędzi lub części ruchomych.**  
*Uszkodzenie lub nacięcie przewodu zwiększa ryzyko porażenia prądem elektrycznym.*
- Podczas pracy z urządzeniem elektrycznym na wolnym powietrzu należy używać odpowiedniego przedłużacza.**  
*Używanie przedłużacza przeznaczonego do pracy na wolnym powietrzu zmniejsza ryzyko porażenia prądem elektrycznym.*

#### 3) Bezpieczeństwo osobiste

- Podczas pracy z urządzeniem elektrycznym należy zachowywać koncentrację i planować wykonywane zadania, kierując się zdrowym rozsądkiem.**  
**Urządzenia elektryczne nie powinny obsługiwać osoby zmęczone lub znajdujące się pod wpływem substancji odurzających, alkoholu lub lekarstw.**  
*Chwila nieuwagi podczas pracy z urządzeniem może stać się przyczyną poważnych obrażeń.*
- Używać wyposażenia ochronnego. Zawsze nosić okulary ochronne.**  
*Używanie wyposażenia ochronnego, takiego jak maski przeciwpyłowe, buty przeciwpoślizgowe, odpowiednie nakrycie głowy i słuchawki ogranicza ryzyko obrażeń ciała.*
- Unikać nieprzewidzianego uruchomienia urządzenia. Przed włożeniem wtyczki do gniazdka upewnić się, że urządzenie jest wyłączone.**  
*Przenoszenie urządzenia z palcem na wyłączniku lub podłączenie do sieci włączonego urządzenia może spowodować wypadek.*
- Przed włączeniem urządzenia usunąć wszelkiego rodzaju klucze regulacyjne.**  
*Pozostawienie klucza w ruchomej części urządzenia może spowodować obrażenia.*
- Nie trzymać urządzenia zbyt daleko od siebie. Zachować stabilną pozycję przez cały czas.**  
*Umożliwia to pełne panowanie nad urządzeniem, nawet w nieoczekiwanych sytuacjach.*
- Nosić odpowiednią odzież. Nie należy nosić luźnych ubrań oraz biżuterii. Utrzymywać włosy, odzież i rękawice z dala od ruchomych części urządzenia.**  
*Luźne ubrania, biżuteria lub długie włosy mogą zostać wciągnięte przez poruszające się części.*
- Jeżeli urządzenie wyposażone jest w system odprowadzania pyłu, powinien on być założony i właściwie używany.**  
*Użycie tego rodzaju urządzeń ograniczy zagrożenia związane z gromadzeniem się pyłu.*

#### 4) Obsługa i konserwacja urządzenia

- Nie dociskać urządzenia zbyt mocno. Należy używać tylko właściwego urządzenia, odpowiedniego dla wykonywanej pracy.**  
*Użycie odpowiedniego urządzenia spowoduje, że praca zostanie wykonana lepiej i bezpieczniej.*
- Nie używać urządzenia elektrycznego, którego wyłącznik jest niesprawny.**  
*Urządzenie, które nie może zostać wyłączone za pomocą wyłącznika, jest niebezpieczne i musi zostać przeznaczone do naprawy.*
- Przed przystąpieniem do jakichkolwiek prac, jak na przykład wymiana akcesoriów, urządzenie musi zostać wyłączone z sieci. To samo dotyczy przechowywania urządzenia nieużywanego.**  
*Umożliwi to zmniejszenie ryzyka nieprzewidzianego uruchomienia urządzenia.*
- Urządzenia elektryczne powinny być przechowywane poza zasięgiem dzieci oraz wszelkich osób nie znających zasad funkcjonowania i obsługi tego typu urządzeń.**  
*Obsługa urządzeń elektrycznych przez osoby nie znające zasad ich funkcjonowania jest niebezpieczna.*



- e) Wykonywać odpowiednie prace konserwacyjne. Kontrolować prawidłowość ustawienia części ruchomych, ich uszkodzenia i wszelkie inne kwestie, mogące spowodować nieprawidłową pracę urządzenia.

Uszkodzone urządzenie powinno zostać natychmiast przekazane do naprawy.

Wiele wypadków spowodowane jest niewłaściwą konserwacją urządzeń elektrycznych.

- f) Narzędzia tnące powinny być naostrzone i czyste. Odpowiednio naostrzone narzędzia nie będą się wyginać i są łatwiejsze w używaniu.

- g) Urządzenie elektryczne, akcesoria, wiertła itd. powinny być używane zgodnie z niniejszymi zaleceniami oraz w sposób odpowiadający wykonywanej pracy, przy uwzględnieniu warunków panujących w otoczeniu.

Wykorzystanie urządzenia elektrycznego do pracy, do której nie jest ono przeznaczone, grozi wypadkiem.

## 5) Serwis

- a) Urządzenie powinno być serwisowane tylko przez osoby posiadające odpowiednie kwalifikacje, przy

użyciu wyłącznie identycznych, oryginalnych części zamiennych.

Zapewni to utrzymanie pełnego bezpieczeństwa pracy z urządzeniem.

## ŚRODKI OSTROŻNOŚCI

Dzieci i osoby niepełnosprawne nie powinny znajdować się w pobliżu urządzenia.

Nie używane urządzenie powinno być przechowywane w miejscu poza zasięgiem dzieci i osób niepełnosprawnych.

## ŚRODKI OSTROŻNOŚCI PRZY PRACY Z WYRZYNARKĄ

Wyrzynarka wyposażona jest w silnik o dużej mocy. Jeżeli urządzenie pracuje ciągle z małą prędkością, obciążenie silnika jest większe, co może spowodować jego uszkodzenie. Należy zawsze posługiwać się urządzeniem w ten sposób, aby ostrze nie mogło ulec zakleszczeniu w materiale. Należy zawsze odpowiednio dostosować prędkość pracy ostrza, aby zapewnić regularne cięcia.

## DANE TECHNICZNE

Napięcie (w zależności od miejsca)*	(110V, 115V, 120V, 127V, 220V, 230V, 240V) $\cup$
Moc pobierana*	720W
Maks. głębokość cięcia	Drewno 110 mm Stal miękka 10 mm
Prędkość obrotowa bez obciążenia	850 – 3000min <sup>-1</sup>
Udar	26 mm
Min. kąt cięcia	25 mm
Waga (bez kabla)	2,2 kg

\*Sprawdź nazwę produktu, jako że ulega ona zmianie w zależności od miejsca zakupu.

## WYPOSAŻENIE STANDARDOWE

- (1) Ostrza (nr 41)..... 1  
Patrz wskazówki dotyczące wykorzystania ostrzy w Tabeli 1.  
(2) Klucz sześciokątny ..... 1  
(3) Osłona zabezpieczająca przed odpryskami ..... 1  
(4) Odpylacz ..... 1  
(5) Osłona zabezpieczająca przed odłamkami ..... 1  
Wypożyczenie standardowe może ulec zmianie bez uprzedzenia.

## MOŻLIWE WYPOSAŻENIE DODATKOWE

..... Sprzedawane oddzielnie

- (1) Różne rodzaje ostrzy  
Patrz wskazówki dotyczące wykorzystania ostrzy w Tabeli 1.  
(2) Prowadnica  
(3) Element dolny podstawy  
(4) Podstawa stołu roboczego (Model TR12-B)  
Wypożyczenie standardowe może ulec zmianie bez uprzedzenia.

## ZASTOSOWANIE

- Cięcie i wyrzynanie różnego rodzaju surowców drzewnych
- Cięcie płyt ze stali miękkiej, płyt aluminiowych i płyt miedzianych
- Cięcie żywic syntetycznych, takich jak żywica fenolowa i chlorek winylu
- Cięcie cienkich i miękkich materiałów budowlanych
- Cięcie płyt ze stali nierdzewnej (ostrza nr 97)

## PRZED UŻYCIEM

### 1. Źródło mocy

Upewnij się, że źródło mocy jest zgodne z wymogami mocy zaznaczonymi przy nazwie produktu.

### 2. Przełącznik

Upewnij się, że przełącznik jest wyłączony (pozycja OFF). Jeśli wtyczka jest włączona do prądu podczas gdy przełącznik jest włączony (pozycja ON), narzędzie zacznie działać natychmiast, co może spowodować poważny wypadek.

### 3. Przedłużacz

Kiedy miejsce pracy znajduje się daleko od źródła prądu, użyj przedłużacza o wystarczającym przekroju. Przedłużacz powinien być tak krótki jak tylko jest to możliwe.

### 4. Pył powstający podczas pracy

*Pył powstający podczas pracy z urządzeniem może być szkodliwy dla zdrowia użytkownika. Należy zastosować jeden z zalecanych poniżej środków ochronnych.*

- a) **Nosić maskę przeciwpyłową**
- b) **Używać zewnętrznego urządzenia służącego do odprowadzania pyłu**

Korzystając z zewnętrznego systemu usuwania pyłu, należy połączyć złączkę z węzem zewnętrznego systemu usuwania pyłu.

### 5. Wymiana ostrza

- (1) Przesunąć dźwignię do góry aż do oporu. **(Rys. 1-I)**
- (2) Wyjąć założone ostrze
- (3) Włożyć nowe ostrze tak, aby doszło do końca uchwytu. **(Rys. 1-II)**
- (4) Zamknąć dźwignię. **(Rys. 1-III)**

#### UWAGA

- Przed wymianą ostrza należy **WYŁĄCZYĆ** urządzenie i wyjąć wtyczkę z gniazdka.
- Nie otwierać dźwigni, kiedy trzpień się porusza.

#### WSKAZÓWKA:

- Należy upewnić się, że występy ostrza odpowiadają zaczepom uchwytu i są właściwie zamocowane. **(Rys. 2)**
- Upewnić się, że ostrze znajduje się między wyżłobieniami wałka. **(Rys. 3)**

### 6. Regulacja prędkości roboczej ostrza

Wyrzynarka wyposażona jest w elektroniczny układ sterujący, umożliwiający ciągłą regulację prędkości. Aby zmienić prędkość, należy przekręcić pokrętko pokazane na **Rys. 4**. Kiedy pokrętko ustawione jest w położeniu „1”, wyrzynarka pracuje z najmniejszą prędkością (850 min<sup>-1</sup>). Położenie „5” odpowiada prędkości maksymalnej (3000 min<sup>-1</sup>). Aby zapewnić optymalną pracę urządzenia, należy dostosować prędkość do obrabianego materiału.

#### UWAGA

Przy niskiej prędkości (ustawienie pokrętkła: 1 lub 2) nie należy ciąć drewna o grubości przekraczającej 10 mm lub metalu o grubości ponad 1 mm.

### 7. Regulacja ruchu wahadłowego

- (1) Wyrzynarka działa ruchem wahadłowym, co oznacza, że ostrze przesuwa się do przodu i do tyłu, ale także w górę i w dół. W celu wyłączenia ruchu wahadłowego należy zmienić ustawienie pokrętkła pokazanego na **Rys. 5** do położenia „0” (ostrze będzie wówczas poruszać się tylko w górę i w dół). Intensywność ruchu wahadłowego może również być regulowana w 4 krokach zakresie od „0” do „III”.
- (2) W przypadku materiałów o dużej twardości, takich jak np. płyta stalowa, należy zmniejszyć intensywność ruchu wahadłowego. W przypadku materiałów miękkich, takich jak drewno, plastik itd., należy zwiększyć intensywność ruchu wahadłowego, aby zapewnić optymalną wydajność pracy. W przypadku cięcia bardzo precyzyjnego należy zmniejszyć intensywność ruchu wahadłowego.

### 8. Cięcie płyt ze stali nierdzewnej

Wyrzynarka może służyć do cięcia płyt ze stali nierdzewnej pod warunkiem korzystania z ostrzy nr 97. Przed przystąpieniem do pracy należy dokładnie zapoznać się ze wskazówkami zamieszczonymi w rozdziale „Cięcie płyt ze stali nierdzewnej”.

### 9. Oslona zabezpieczająca przed odpryskami

Przy cięciu materiałów drewnianych należy założyć osłonę zabezpieczającą, aby ograniczyć odpryskiwanie odłamków.

Oslona powinna zostać włożona w szczelinę w podstawie urządzenia i dociśnięta do końca. (patrz **Rys. 6**)

### 10. Oslona zabezpieczająca przed odłamkami

Oslona ta zabezpiecza przed odrywającymi się odłamkami i zwiększa wydajność pracy odpylacza. Należy włożyć osłonę w miejsce pomiędzy podstawą a dźwignią, a następnie lekko dociśnąć. **(Rys. 7)** Aby zdjąć osłonę, należy przytrzymać obie strony pokrętkła i lekko odchylić, aż będzie mogła zostać wyjęta z urządzenia. **(Rys. 8)**

#### WSKAZÓWKA:

Podczas cięcia metalu osłona zabezpieczająca przed odłamkami może ulec uszkodzeniu (odpryskom).

### 11. Element dolny podstawy

Użycie dolnego elementu podstawy (wykonanego ze stali nierdzewnej) umożliwi zmniejszenie ścierania podstawy aluminiowej, w szczególności w przypadku cięcia metali.

Wykorzystanie elementu dolnego (wykonanego z żywicy) zapobiega zarysowaniu obrabianej powierzchni. Element ten powinien zostać przymocowany do dolnej części podstawy za pomocą 4 śrub.

### 12. Zapalanie lampy

Aby zapalić lampę, należy wcisnąć przycisk spustowy. Zwolnić przycisk spustowy, aby zgasić lampę.

#### UWAGA:

- Nie należy patrzeć bezpośrednio w stronę źródła światła.

---

## CIĘCIE

---

#### UWAGA

- W celu uniknięcia obluźnienia, uszkodzenia lub zbyt poważnego zużycia ostrza urządzenia, należy upewnić się, że podczas piłowania obrabiany przedmiot jest odpowiednio przymocowany do płyty roboczej.

#### 1. Cięcie w linii prostej

W przypadku cięcia w linii prostej należy najpierw narysować linię cięcia na obrabianym materiale, a następnie prowadzić ostrze po tej linii. Użycie specjalnej prowadnicy (sprzedawanej osobno) umożliwi bardzo dokładne cięcie wzdłuż linii prostej.

- (1) Poluzować przymocowaną do podstawy śrubę sześciokątną. **(Rys. 9)**
- (2) Przesunąć podstawę do końca w przód **(Rys. 10)** i dokręcić śrubę.
- (3) Zamocować prowadnicę, przeprowadzając ją przez słuzący do mocowania otwór w podstawie i dokręcić śrubę M5. **(Rys. 11)**
- (4) Ustawić ruch wahadłowy na „0”.

#### UWAGA:

Aby zapewnić dokładne cięcie z użyciem prowadnicy **(Rys. 11)**, należy zawsze ustawić ruch wahadłowy na „0”.

**2. Cięcie linii krzywych**

W przypadku wycinania niewielkich kształtów łukowych, należy odpowiednio zmniejszyć prędkość pracy urządzenia. Jeżeli będzie ono prowadzone zbyt szybko, ostrze może się złamać.

**3. Wycinanie koła lub dużego łuku**

Prowadnica może zostać wykorzystana także w przypadku wycinania kształtów kołowych.

Po przymocowaniu prowadnicy w sposób opisany powyżej należy przeprowadzić śrubę lub gwóźdź przez otwór w prowadnicy oraz materiał, a następnie użyć go jako osi środkowej promienia cięcia. (Rys. 12)

**UWAGA:**

Przy cięciu kołowym ostrze musi być prowadzone mniej więcej pionowo w stosunku do dolnej powierzchni podstawy.

**4. Cięcie materiałów z metalu**

(1) Ustawić pokrętkę regulacji prędkości w pozycji pomiędzy „3” i „4”.

(2) Ustawić ruch wahadłowy na „0” lub „1”.

(3) Należy zawsze użyć odpowiedniego płynu obróbkowego (oleju wrzecionowego, wody z mydłem itp.) Jeżeli płyn obróbkowy nie jest dostępny, należy nasmarować tylną powierzchnię obrabianego materiału.

**5. Wyrzynanie**

(1) W drewnie

Należy prowadzić ostrze zgodnie ze słojami drewna i ciąć aż do chwili, kiedy w środku elementu pojawi się przeswit. (Rys. 13)

(2) W innych materiałach

W przypadku wycinania otworu w materiale innym niż drewno należy najpierw wywiercić otwór wiertarką lub urządzeniem podobnego rodzaju, a następnie zacząć wycinanie od wykonanego otworu.

**6. Cięcie kątowe**

W przypadku cięcia kąтового podstawa urządzenia może zostać odchylna w obie strony o 45°. (Rys. 14)

(1) Posługując się dostarczonym kluczem sześciokątnym, poluzować śrubę mocującą podstawy i przesunąć podstawę całkowicie do przodu. (Rys. 9, 10)

(2) Ustawić podziałkę (od 0 stopni do 45 stopni, w krokach co 15 stopni) elementu półokrągłego podstawy wg znaku [▽] na pokrywie przekładni. (Rys. 15)

(3) Ponownie dokręcić śrubę M5. (Rys. 9)

(4) Ustawić ruch wahadłowy na „0”.

**UWAGA:**

Cięcie kątowe nie może zostać wykonane, kiedy zamocowana jest osłona zabezpieczająca przed odłankami lub odpylacz.

**POŁĄCZENIE Z ODKURZACZEM**

Urządzenie może zostać połączone z odkurzaczem (sprzedawanym oddzielnie) przez odpylacz i łącznik (sprzedawany oddzielnie). Umożliwia to usunięcie większości pyłu.

(1) Wyjąć przymocowany do podstawy klucz sześciokątny.  
 (2) Przesunąć podstawę do końca w przód. (Rys. 9, 10)  
 (3) Przymocować osłonę zabezpieczającą przed odłankami.

(4) Przymocować odpylacz za pomocą łącznika. (Rys. 16)

(5) Połączyć łącznik z końcówką odkurzacza. (Rys. 16)

(6) Włożyć odpylacz do tylnego otworu w podstawie aż do momentu, kiedy hak zaczepi o karb. (Rys. 17)

(7) Wcisnąć hak, aby odzepić odpylacz.

**UWAGA:**

Jeżeli jest taka możliwość, należy dodatkowo założyć maskę przeciwpyłową.

**CIĘCIE PŁYT ZE STALI NIERDZEWNEJ****UWAGA**

W celu uniknięcia obluźowania, uszkodzenia lub zbyt poważnego zużycia ostrza urządzenia, należy upewnić się, że podczas piłowania obrabiany przedmiot jest odpowiednio przymocowany do płyty roboczej.

W przypadku cięcia płyt ze stali nierdzewnej urządzenie powinno być wyregulowane w następujący sposób:

**1. Regulacja prędkości**

Ostrze	Grubość materiału	Podziałka cyfrowa
Nr 97	1,5 – 2,5 mm	Położenie pośrednie pomiędzy „2” a „3”

**WSKAZÓWKA:**

Im większa prędkość, tym szybciej materiał jest cięty. Jednakże przy wyższej prędkości ostrze prędzej ulega zużyciu.

Jeżeli prędkość jest zbyt niska, cięcie będzie wymagać więcej czasu ale zużycie ostrza będzie mniejsze. Należy ustawić prędkość w zależności od własnych wymagań.

**2. Ustawienie ruchu wahadłowego na „0”****UWAGA**

○ W celu zapobieżenia zużyciu ostrza podczas cięcia należy używać płynu obróbkowego (na bazie oleju).

**WYBÓR OSTRZA****○ Akcesoria**

Aby zapewnić maksymalną wydajność pracy urządzenia, niezwykłe ważne jest wybór ostrza najlepiej odpowiadającego rodzajowi i grubości ciętego materiału. W zestawie jako akcesoria standardowe dostarczane są trzy rodzaje ostrzy. Numer ostrza jest wygrawerowany na każdym z nich w pobliżu końcówki służącej do zamontowania.

Należy wybrać odpowiednie ostrze zgodnie z informacjami podanymi w Tabeli 1.

**PRZYMOCOWANIE KLUCZA SZEŚCIOKĄTNEGO**

Klucz sześciokątny może zostać przymocowany przy podstawie. (patrz Rys. 18)

**KONSERWACJA I INSPEKCJA****1. Kontrola stanu ostrza**

Używanie ostrza stępionego lub uszkodzonego powoduje zmniejszenie wydajności pracy urządzenia i może doprowadzić do przeciążenia silnika. Ostrze powinno zostać wymienione na nowe, kiedy tylko zostanie stwierdzone, że jest stępiene.

**2. Sprawdzanie śrub mocujących**

Regularnie sprawdzaj wszystkie mocujące śruby i upewnij się, że są mocno przykręcone. Jeśli któraś z nich się obluźuje, natychmiast ją przykręć. Zaniedbanie tego może spowodować poważne zagrożenie.

**3. Konserwacja silnika**

Wirnik silnika jest sercem narzędzia. Zadbaj, by wirnik nie został uszkodzony i nie zawiłgotniał lub pokrył się olejem.

**4. Kontrola stanu szczotek węglowych**

W celu zapewnienia pełnego bezpieczeństwa użytkownika i ochrony przed porażeniem prądem elektrycznym, kontrola i wymiana szczotek węglowych w tym urządzeniu mogą być przeprowadzane WYŁĄCZNIE przez Autoryzowany Punkt Serwisowy Hitachi.

**5. Wymiana przewodu zasilającego**

Jeżeli przewód zasilający urządzenia został uszkodzony, musi ono zostać przekazane do Autoryzowanego Punktu Serwisowego Hitachi w celu wymiany przewodu.

**6. Lista części zamiennych**

- A: Nr części
- B: Nr kodu
- C: Ilość użytych części
- D: Uwagi

**UWAGA**

Naprawa, modyfikacje i przeglądy narzędzi elektrycznych Hitachi musi być wykonywane przez Autoryzowane Centrum Obsługi Hitachi.

Ta lista części będzie przydatna jeśli zostanie wręczona wraz z narzędziem, gdy zgłosimy się do naprawy lub przeglądu w Autoryzowanym Centrum Obsługi Hitachi. Podczas użytkowania i konserwacji narzędzi elektrycznych muszą być przestrzegane przepisy i standardy bezpieczeństwa.

**MODYFIKACJE**

Narzędzia elektryczne Hitachi są ciągle ulepszone i modyfikowane w celu wprowadzania najnowszych osiągnięć nauki i techniki.

W związku z tym pewne części (a także numery kodów i konstrukcja) mogą ulec zmianom bez uprzedzenia.

**WSKAZÓWKA:**

W związku z prowadzonym przez Hitachi programem badań i rozwoju, specyfikacje te mogą się zmienić w każdej chwili bez uprzedzenia.

**Informacja dotycząca poziomu hałasu i wibracji**

Mierzone wartości było określone według EN60745 i zadeklarowane zgodnie z ISO 4871.

- Zmierzony poziom dźwięku A: 97 dB (A)
- Zmierzone ciśnienie akustyczne A: 86 dB (A)
- Niepewność KpA: 3 dB (A)

Używaj ochroniacza uszu.

Typowa wartość skuteczna przyspieszenia wynosi: 5,6 m/s<sup>2</sup> (CJ110MV), 5,2 m/s<sup>2</sup> (CJ110MVA).

Tabela 1 Lista odpowiednich ostrzy

Materiał do cięcia	Ostrze	NR 1 (Długie)	NR 1 (Super długie)	NR 11	NR 12, 42	NR 15	NR 16, 46	NR 21	NR 22	NR 41	NR 97	123X
		Grubość materiału (mm)										
Drewno	Ogólne	Poniżej 105	Poniżej 110	10 ~ 55	Poniżej 20			10 ~ 55	5 ~ 40	10 ~ 65		
	Sklejka			5 ~ 30	Poniżej 10			5 ~ 30	3 ~ 20			
Płyta żelazna	Płyta ze stali miękkiej					3 ~ 6	Poniżej 3				2 ~ 5	1,5 ~ 10
	Płyta ze stali nierdzewnej										1,5 ~ 2,5	
Metale nieżelazne	Aluminium miedź, mosiądz					3 ~ 12	Poniżej 3				Poniżej 5	
	Rama aluminiowa					Wysokość do 25					Wysokość do 25	Wysokość do 30
Tworzywa sztuczne	Żywica fenolowa, melamina, żywice itd.					5 ~ 20	Poniżej 6	5 ~ 15	Poniżej 6		5 ~ 15	
	Chlorek winylu, żywica akrylowa itp.			5 ~ 30	Poniżej 10	5 ~ 20	Poniżej 5	5 ~ 30	3 ~ 20		5 ~ 15	
	Polietylen piankowy, styropian piankowy			10 ~ 55	3 ~ 25	5 ~ 25	3 ~ 25	10 ~ 55	3 ~ 40		5 ~ 25	
Masy włóknis	Karton, papier falisty			10 ~ 55	3 ~ 25			10 ~ 55	3 ~ 40			
	Twarda płyta pilśniowa					3 ~ 25	Poniżej 6				3 ~ 25	
	Płyta pilśniowa						Poniżej 6					

**UWAGA**

○ Minimalny promień cięcia dla ostrzy o nr 1 (Długie), nr 1 (Super długie), nr 21, nr 22 i nr 41 wynosi 100 mm.

## **ÁLTALÁNOS BIZTONSÁGTECHNIKAI ELŐÍRÁSOK**

### **FIGYELEM!**

#### **Olvassa végig az utasításokat**

*Az alábbi utasítások be nem tartása áramütést, tüzet és súlyos sérülést okozhat.*

*Az alábbi figyelmeztetésekben szereplő "elektromos szerszámgép" kifejezés az ön - hálózatról üzemeltetett (vezetékes) vagy akkumulátoros (vezeték nélküli) - elektromos szerszámgépére vonatkozik.*

### **ŐRIZZE MEG AZ UTASÍTÁSOKAT**

#### **1) A munkahely**

**a) A munkahelyet tartsa tisztán, és megfelelően világítsa meg.**

*A túlzásfűt és sötét munkahelyek vonzzák a baleseteket.*

**b) Az elektromos szerszámgépeket ne használja robbanásveszélyes légterben, például gyúlékony folyadékok, gázok vagy por mellett.**

*Az elektromos szerszámgépek szikrákat bocsáthatnak ki, melyek berobbanthatják a jelenlévő port.*

**c) A szerszámgép működtetése közben tartsa távol a gyermekeket és a körülállókot.**

*A figyelmeztetés a szerszámgép feletti kontroll elvesztését okozhatja.*

#### **2) Érintésvédelem**

**a) Az elektromos szerszámgép dugaszának illeszkednie kell a hálózati csatlakozóaljzatba.**

*Semmilyen körülmények között ne módosítsa a dugaszt.*

*Ne használjon semmilyen átalakító dugaszt a földelt elektromos szerszámgéppel.*

*A módosítás nélküli dugaszok és a megfelelő aljzatok csökkentik az elektromos áramütés veszélyét.*

**b) Ügyeljen arra, hogy munka közben ne érintsen meg földelt felületeket, pl. csővezetékeket, fűtőtesteket, tűzhelyeket vagy hűtőberendezéseket.**

*Ha a kezelő teste földelve van, az áramütés veszélye megnő.*

**c) Az elektromos szerszámgépeket ne tegye ki eső vagy nedvesség hatásának.**

*Az elektromos szerszámgépbe kerülő víz növeli az áramütés veszélyét.*

**d) Ne rongálja meg az elektromos csatlakozókábelt. A szerszámgépet ne hordozza a kábelnél fogva, és a villásdugót soha ne a kábelnél fogva húzza ki a dugaszolóaljzatból.**

*Védje a kábelt a magas hőmérséklettől, olajtól és az éles sarkoktól.*

*A sérült vagy összegabalyodott vezetékek növelik az elektromos áramütés veszélyét.*

**e) Ha a szabadban kell munkát végeznie, mindig csak az erre a célra alkalmas hosszabbító kábelt használjon.**

*A kültéri használatra alkalmas hosszabbító használata csökkenti az elektromos áramütés veszélyét.*

#### **3) A testi épség védelme**

**a) Mindig figyeljen oda a végzett munkára. Az elektromos szerszámgéppel végzett munka teljes figyelmet igényel.**

**Ne használja a készüléket, ha nem érzi kipihentnek magát, ha kábítószert, alkoholt vagy gyógyszert hatása alatt áll.**

*Egy pillanatnyi figyelmetlenség is súlyos sérülést okozhat.*

**b) Használjon védőfelszerelést. Mindig használjon védőöszeműveőt.**

*A védőfelszerelések, pl. a pormaszka, a csúszásbiztos biztonsági cipő, a védősisak és a füldugó használata csökkenti a sérülésveszélyt.*

**c) Kerülje a gép véletlenszerű beindítását. Mielőtt a csatlakozó dugót a dugaszolóaljzatba bedugja, mindig győződjék meg róla, hogy a készülék ki van kapcsolva.**

*Ne tartsa újjat az indító kapcsolón, ha hordozza a készüléket, és ne csatlakoztasson bekapcsolt készüléket az áramforrásra.*

**d) Mielőtt a gépet bekapcsolja, mindig ellenőrizze, hogy kivette-e a készülékből a szerszámbeállító- illetve befogókulcsot.**

*A forgó alkatrészben maradt szerszámbeállító- vagy befogókulcs személyi sérülést okozhat.*

**e) Ne nyújtsa ki a kezét túl nagy távolságra. Munka közben mindig álljon stabilan, és őrizze meg az egyensúlyát.**

*Így a váratlan helyzetekben sem veszti el a szerszám feletti uralmát.*

**f) Viseljen megfelelő munkaruhát. Munka közben ne viseljen bő öltözéket vagy ékszert. Haját, ruházatát és kesztyűjét tartsa távol a mozgó alkatrészekről.**

*A bő öltözéket, ékszereket vagy a hosszú haját a mozgó alkatrészek elkapathatják.*

**g) Ha a készülék rendelkezik porszelvívási, illetve -gyűjtési lehetőséggel, ügyeljen rá, hogy azok megfelelően legyenek csatlakoztatva és használva.**

*A fenti eszközök használata csökkenti a por okozta veszélyt.*

**4) Az elektromos szerszámgép használata és karbantartása**

**a) Ne erőltesse a szerszámot. Mindig az alkalmazásnak megfelelő szerszámot használjon.**

*A megfelelő szerszámgép nominális teljesítményszinten jobban és biztonságosabban működik.*

**b) Ne használja a szerszámot, ha a kapcsoló azt nem kapcsolja megfelelően be, illetve ki.**

*A kapcsolóval nem szabályozható szerszámgép veszélyes, és azt meg kell javítani.*

**c) Mindig húzza ki a dugaszoló aljzatból a csatlakozó dugót, mielőtt a készüléket beállításokat végezne, kicserélné a tartozékokat, vagy mielőtt eltávolítaná a készüléket.**

*A fenti biztonsági óvintézkedések csökkentik a készülék véletlenszerű bekapcsolásának veszélyét.*

**d) A használaton kívüli szerszámokat tárolja gyermekek által nem hozzáférhető helyen, és ne engedje, hogy a készüléket az üzemeltetéshez nem értő személyek használják.**

*A gyakorlatlan használó kezében a szerszámgépek különösen nagy veszélyt jelentenek.*

**e) A szerszámgépek karbantartása. Ellenőrizze a mozgó alkatrészek illesztését, rögzítését, és alkatrészek esetleges repedését és minden olyan**

tulajdonságot, mely hatással lehet a munkavégzésre.

Meghibásodás esetén használat előtt javítsa meg a készüléket.

A nem megfelelő karbantartás sok balesetet okoz.

- f) A vágószerszámokat mindig tartsa élesen és tisztán.

A megfelelően karbantartott - éles vágóélű-vágószerszámok kisebb eséllyel görbülnek el, és könnyebben irányíthatók.

- g) Használja a szerszámgépet és a fűrőfejeket stb. az utasításoknak és az adott szerszámgép rendeltetésének megfelelően, mindig figyelembe véve a munkakörülményeket és az elvégzendő munka jellegét.

A szerszámgép rendeltetéstől eltérő használata veszélyt okozhat.

## 5) Javítás

- a) A szerszámot csak - eredeti cserealkatrészeket használó - szakképzett személlyel javíttassa.

Igy biztosítható a szerszámgép biztonságos üzemeltetése.

## MŰSZAKI ADATOK

Feszültség (terület szerint)*	(110V, 115V, 120V, 127V, 220V, 230V, 240V) ~
Névleges teljesítményfelvétel*	720W
Maximális vágási mélység	Fa 110 mm Lágyacél 10 mm
Üresjáratú fordulatszám	850 – 3000 perc <sup>-1</sup>
Vágási hossz	26 mm
Minimális vágási sugár	25 mm
Súly (tápkábel nélkül)	2,2 kg

\* Ne felejtse el ellenőrizni a típus táblán feltüntetett adatokat, mivel ezek eladási területenként változnak!

## STANDARD TARTOZÉKOK

- (1) Fűrészlapok (41 sz.) ..... 1  
 A fűrészlapok használatát illetően lásd az **1. táblázatot**.  
 (2) Hatszögletű dugókulcs ..... 1  
 (3) Forgácsvédő pajzs ..... 1  
 (4) Porgyűjtő ..... 1  
 (5) Forgácsvédő fedél ..... 1  
 A standard tartozékok előzetes tájékoztatás nélkül változhatnak.

## TETSZÉS SZERINT VÁLASZTHATÓ TARTOZÉKOK ... Külön megrendelésre

- (1) Különböző típusú fűrészlapok  
 A fűrészlapok használatát illetően lásd az **1. táblázatot**.  
 (2) Vezetőelem  
 (3) Talp  
 (4) Munkapadra szerelhető állvány (TR12-B modell)  
 A tetszés szerint választható tartozékok előzetes bejelentés nélkül bármikor változhatnak.

## ÖVINTÉZKEDÉS

A gyermekeket és a felügyeletre szoruló személyeket tartsa távol az elektromos szerszámgéptől.

A használaton kívüli szerszámgépeket gyermekektől és felügyeletre szoruló személyektől elzárva kell tartani.

## A SZÚRÓFŰRÉSZ HASZNÁLATÁVAL KAPCSOLATOS ÖVINTÉZKEDÉSEK

Ez a szűrőfűrész nagyteljesítményű motorral működik. Ha a gépet folyamatosan alacsony fordulatszámra működteti, plusz terhelés jut a motorra, aminek következtében az beragadhat. A szerszámgép használata közben mindig ügyelni kell arra, nehogy a fűrészlap beakadjon az anyagba. A fűrészlap sebességét mindig úgy állítsa be, hogy biztosított legyen a sima, egyenes vágás.

## ALKALMAZÁSOK

- Különböző fűrészárú vágása és belső nyílás kivágása
- Lágyacél, alumínium és rézlemezek vágása
- Műanyagok, például fenolgyanta és vinilklorid vágása
- Vékony és lágy építőanyagok vágása
- Rozsdamentes acéllemezek vágása (a 97 sz. fűrészlappal)

## AZ ÜZEMBEHELYEZÉS ELŐTTI TENNIVALÓK

1. **Áramforrás**  
 Ügyeljen rá, hogy a készülék adattábláján feltüntetett feszültség értéke megegyezzen az alkalmazni kívánt hálózati feszültséggel.
2. **Hálózati kapcsoló**  
 Ügyeljen rá, hogy a hálózati kapcsoló KI állásba legyen kapcsolva. Ha a csatlakozódugót úgy csatlakoztatja a dugaszolóaljzatba, hogy közben a hálózati kapcsoló BE állásban van, a készülék azonnal működésbe lép, ami súlyos balesetet idézhet elő.
3. **Hosszabbító vezeték**  
 Ha a munkaterület az áramforrástól távol található, akkor egy megfelelő keresztmetszetű és teljesítményű hosszabbító vezetékkel kell alkalmazni.

**4. Működés során keletkezett por**

A normál működés során keletkezett por károsan befolyásolhatja a kezelő egészségét. A következők valamelyike javasolt.

- a) **Porálarc viselése**
- b) **Külső porgyűjtő berendezés használata**

A külső porgyűjtő felszerelés használata közben csatlakoztassa az adaptert és a külső porgyűjtő alkatrész csövét.

**5. A fűrészlapok cseréje**

- (1) Nyissa fel a kart ütközésig. **(1-I. ábra)**
- (2) Vegye ki a gépbe szerelt fűrészlapot.
- (3) Illesszen be egy új fűrészlapot, ütközésig betolva azt a foglatba. **(1-II. ábra)**
- (4) Csukja le a kart. **(1-III. ábra)**

**FIGYELMEZTETÉS**

- A fűrészlapok cseréjekor feltétlenül kapcsolja KI a hálózati kapcsolót és húzza ki a gép dugaszát a hálózati aljzattól.
- A dugattyú mozgásakor a kart nem szabad felnyitni!

**MEGJEGYZÉS:**

- Bizonyosodjon meg róla, hogy a fűrészlap kiálló részei a foglatat megfelelő helyére kerültek-e. **(2. ábra)**
- Bizonyosodjon meg róla, hogy a behelyezett fűrészlap a henger hornyai között van-e. **(3. ábra)**

**6. A fűrészlap működési sebességének beállítása**

A szűrőfűrész elektromos vezérlőáramkörrel rendelkezik, amely lehetővé teszi a sebesség fokozatmentes szabályozását. A sebesség beállításához a **4. ábrán** látható számtárcsát kell elforgatni. A számtárcsa „1” állásában a szűrőfűrész minimális sebességgel (850 perc<sup>-1</sup>) működik. A számtárcsa „5” állásában a szűrőfűrész maximális sebességgel (3000 perc<sup>-1</sup>) működik. A sebességet a vágandó anyagtól és a kívánt munkateljesítménytől függően kell beállítani.

**FIGYELMEZTETÉS**

Kis sebességgel (a számtárcsa 1. vagy 2. állásában) nem szabad 10 mm-nél vastagabb fa-, illetve 1 mm-nél vastagabb fém anyagot vágni.

**7. A körpályás üzemmód beállítása**

- (1) Ez a szűrőfűrész képes körpályás üzemmódban működni, amikor is a fűrészlap előre-hátra, illetve fel-és lefelé mozog. A körpályás üzemmód kiiktatásához állítsa az **5. ábrán** látható átkapcsoló gombot „0” állásba (a fűrészlap ekkor csak fel- és lefelé mozog). A körpályás üzemmód 4 fokozata választható ki „0”-tól „III”-ig.
- (2) Kemény anyag, például acéllemez, stb. vágásakor a körpályás üzemmód kisebb fokozatát kell használni. Lág anyaghoz, például fűrészáruhoz, műanyaghoz, stb. a munkateljesítmény fokozása érdekében a körpályás üzemmód nagyobb fokozatát kell alkalmazni. A vágási pontosság növeléséhez a körpályás üzemmód alacsonyabb fokozata jöhet számításba.

**8. A rozsdamentes acél lemez vágása**

Ez a szűrőfűrész fűrészgép a 97 sz. fűrészlappal alkalmas rozsdamentes acél lemezek vágására. A szabályos működés biztosítása érdekében figyelmesen olvassa át a „Rozsdamentes acél lemezek vágása” című fejezetet.

**9. A forgácsvédő pajzs**

A forgácsvédő pajzs használata faanyagok vágásakor csökkenti a vágott felületek szilánkokra hasadását. Illessze a forgácsvédő pajzsot az alapzatban lévő helyére és tolja be azt teljesen. (lásd a **6. ábrát**)

**10. A forgácsvédő fedél**

A forgácsvédő fedél megakadályozza a forgács kirepülését és javítja a porgyűjtő hatékonyságát.

Illessze a forgácsvédő fedelet az alapzat és a kar közé, majd enyhe nyomást gyakorolva tolja be azt, amíg be nem kattan a helyére. **(7. ábra)**

A forgácsvédő fedél eltávolításakor fogja meg a gomb mindkét oldalát, kissé felnyitva a fedelet, hogy ki tudja húzni azt a fűrészgépéből. **(8. ábra)**

**MEGJEGYZÉS:**

Fém vágásakor előfordulhat, hogy a forgácsvédő fedél beragad.

**11. A talp**

A talp (acél anyagú) használata csökkenti az alumínium alapzat kopását, különösen fém vágásakor.

Műgyanta anyagú talp használata csökkenti a vágási felület karcolódását. A talpat 4 csavarral kell az alapzat alsó felületéhez erősíteni.

**12. A lámpa bekapcsolása**

A lámpa bekapcsolásához húzza meg a kioldót.

A kikapcsoláshoz engedje el a kioldót.

**FIGYELMEZTETÉS:**

Ne nézzen közvetlenül a lámpa fényébe vagy a fényforrásba.

**VÁGÁS**

**FIGYELMEZTETÉSEK**

- A fűrészlap elmozdulásának, sérülésének vagy a dugattyú túlzott terhelésének megelőzése érdekében kérjük, fűrészelés közben az alapzatot mindig illessze a munkadarabhoz.

**1. Egyenes vonalakkal határolt alakzat vágása**

Egyenes vonalban történő vágásokor először vonómérővel fel kell rajzolni a vonalat és a fűrész a vonal mentén kell vezetni. Vezetőelem használata (külön kapható) lehetővé teszi a pontos vágást egyenes vonal mentén.

- (1) Lazítsa meg az alapzat csavarját az alapzathoz erősített hatszögletű dugókulccsal. **(9. ábra)**
- (2) Tolja az alapzatot teljesen előre **(10. ábra)**, majd húzza meg ismét az alapzat csavarját.
- (3) Erősítse fel a vezetőelemet, átvezetve azt az alapzaton található rögzítőfura, majd húzza meg az M5 csavart. **(11. ábra)**

- (4) Állítsa a körpálya pozíciót „0”-ra.

**MEGJEGYZÉS:**

A vezetőelem **(11. ábra)** használatakor a pontos vágás biztosítása érdekében a körpálya pozíciót mindig állítsa „0”-ra.

**2. Fűrészelés görbe vonal mentén**

Kis körív kivágásakor csökkentse a gép megfelelő előtolási sebességét. Ha a gép előtolása túl gyors, a fűrészlap eltörhet.

**3. Kör vagy körív kivágása**

A vezetőelem hasznosnak bizonyulhat kör formájú alakzat kivágásához is.

Miután felerősítette a vezetőelemet a fentiek szerint, üssön be egy szögvet vagy hajtsón be egy facsavart az anyagba a vezetőelemen lévő lyukon keresztül, mindegyikét használja azt forgástengelyként a vágáskor. **(12. ábra)**

**MEGJEGYZÉS:**

Kör alakzat vágását úgy kell végezni, hogy a fűrészlap hozzátétőlegesen merőleges legyen az alapzat alsó felületére.

## 4. Fém anyag vágása

- (1) A sebesség szabályozó számtárcsát állítsa „3” és „4” közötti értékre.
- (2) Állítsa a körpálya pozíciót „0”-ra vagy „1”-re.
- (3) Mindig használjon megfelelő hűtő-kenő folyadékot (orsóolajt, szappanos vizet stb.). Ha folyékony hűtő-kenőanyag nem áll rendelkezésre, hordjon fel kenőanyagot a vágandó anyag hátsó felületére.

## 5. Belső nyílás kivágása

- (1) Fűrészáruban  
A fűrészlap haladási irányát a fa erezetéhez igazítva végezze a vágást lépésről lépésre haladva, amíg be nem fejezte a belső nyílás kivágását a faanyag közepén. **(13. ábra)**
- (2) Más anyagban  
Amikor belső nyílás kivágását végzi fűrészárutól eltérő más anyagban, először fúrjon egy lyukat fúróval vagy hasonló szerszámmal, ahonnan a vágást elkezdheti.

## 6. Szögben végzett vágás

- Szögben végzett vágáshoz az alapzat elforgatható mindkét irányba maximum 45 fokkal. **(14. ábra)**
- (1) Lazítsa meg az alapzat csavarját az alapzathoz erősített hatszögletű dugókulccsal és tolja teljesen előre az alapzatot. **(9. és 10. ábra)**
  - (2) Állítsa vonalba az alapzat félkör alakú részének skáláját (0-tól 45 fokig állítható 15 fokos növekményekben) a hajtás fedelén található [∇] jellel. **(15. ábra)**
  - (3) Húzza meg ismét az M5 csavart. **(9. ábra)**
  - (4) Állítsa a körpálya pozíciót „0”-ra.

### MEGJEGYZÉS:

Forgácsvédő fedél vagy porgyűjtő használatokor a szögben végzett vágás nem lehetséges.

## A GÉP ÖSSZEKAPCSOLÁSA PORSZÍVÓVAL

Ha a gépet összekapcsolják egy porszívóval (külön rendelhető) a porgyűjtőn és az adapteren (szintén külön rendelhető) keresztül, a por nagy része összegyűjthető.

- (1) Vegye le a hatszögletű dugókulcsot az alapzatról.
- (2) Tolja teljesen előre az alapzatot. **(9. és 10. ábra)**
- (3) Erősítse fel a forgácsvédő fedelet.
- (4) Kösse össze a porgyűjtőt az adapterrel. **(16. ábra)**
- (5) Kösse össze az adaptert a porszívó szívófejével. **(16. ábra)**
- (6) Illessze a porgyűjtőt az alapzat hátsó nyílásába, amíg a horog be nem kattant a horonyba. **(17. ábra)**
- (7) A porgyűjtő eltávolításához a horgot meg kell nyomni.

### MEGJEGYZÉS:

Ezen felül - ha rendelkezésre áll -, viseljen porvédő maszkot.

## ROZSDAMENTES ACÉL LEMEZEK VÁGÁSA

### FIGYELMEZTETÉS!

A fűrészlap elmozdulásának, sérülésének vagy a dugattyú túlzott terhelésének megelőzése érdekében kérjük, fűrészelés közben az alapzatot mindig illessze a munkadarabhoz.

Rozsdamentes lemezacél vágásakor a készüléket az alábbiak szerint kell beállítani:

## 1. Állítsa be a sebességet

Fűrészlap	Anyagvastagság	Számtárcsás skála
97 sz.	1,5 – 2,5 mm	A „2” és a „3” skálaosztások közti középső rovátka helyzete

### MEGJEGYZÉS

A számtárcsás skálán leolvasott érték csupán referenciaként szolgál. Minél nagyobb a sebesség, annál gyorsabban lehet vágni az anyagot. Ebben az esetben azonban csökken a fűrészlap élettartama.

Kis sebesség mellett a vágás ugyan tovább tart, a fűrészlap élettartama azonban meghosszabbodik. Igény szerint állítsa be a sebességet.

## 2. Állítsa a körpálya pozíciót „0”-ra

### MEGJEGYZÉS

- A fűrészlap élettartamának meghosszabbítása érdekében vágáskor használjon hűtő-kenő folyadékot (olaj bázisút).

## A FÜRÉSZLAPOK KIVÁLASZTÁSA

### ○ Alaptartozékként szállított fűrészlapok

A maximális működési teljesítmény és a lehető legjobb eredmények biztosítása érdekében nagyon fontos a vágandó anyag típusához és vastagságához legjobban igazodó fűrészlap kiválasztása. Alaptartozékként 3 különböző típusú fűrészlapot szállítunk a készülékkel. A fűrészlap száma be van gravírozva az egyes fűrészlapok befogása mellett.

Az **1. táblázat** alapján válassza ki a megfelelő fűrészlapokat.

## A HATSZÖGLETŰ DUGÓKULCS HELYE

A hatszögletű dugókulcs elhelyezhető az alapzaton. (lásd a **18. ábrát**)

## ELLENŐRZÉS ÉS KARBANTARTÁS

### 1. A fűrészlap ellenőrzése

Életlen vagy sérült fűrészlap további használata csökkenti a vágás hatékonyságát és a motor túlterhelését okozhatja. Cserélje ki a fűrészlapot egy újra, amint észreveszi, hogy az túlzottan elkopott.

### 2. A rögzítő csavarok ellenőrzése

Rendszeresen ellenőrizzen minden rögzítő csavart, és ügyeljen rá, hogy azok megfelelően meg legyenek szorítva. Minden meglazult csavart azonnal szorítson meg. Ennek elhanyagolása súlyos veszélyeket hordoz magában.

### 3. A motor karbantartása

A motor tekerceselése az elektromos szerszám „szíve”. Gondosan ügyeljen rá, hogy a tekerceselés ne sérüljön, illetve ne kerüljön kapcsolatba olajjal vagy vízzel.

### 4. A szénkefék ellenőrzése

A tartós biztonság és a megfelelő érintésvédelem érdekében e szerszám gép szénkeféinek ellenőrzését és cseréjét KIZÁRÓLAG a Hitachi Szerződéses Szerviz Központ végezheti.

### 5. A hálózati kábel cseréje

Ha a szerszám gép hálózati kábele megrongálódik, akkor azt csere céljából vissza kell juttatni a Hitachi Szerződéses Szerviz Központba.



**6. Szervizelési alkatrészlista**

- A: Alkatrész-szám  
 B: Kódszám  
 C: Használt darabszám  
 D: Megjegyzések

**FIGYELEM!**

A Hitachi kéziszerszámok javítását, módosítását, illetve ellenőrzését kizárólag Hitachi szakszervizben szabad elvégeztetni.

Ez az alkatrészlista a szerszám javításra vagy egyéb karbantartásra egy Hitachi szakszervizbe történő bevitelkor jelent segítséget.

A kéziszerszámok üzemeltetése és karbantartása során be kell tartani az adott országban érvényes biztonsági előírásokat és szabványokat.

**MÓDOSÍTÁSOK**

A Hitachi kéziszerszámok állandó tökéletesítéseken mennek át, hogy alkalmazni tudják a legújabb műszaki fejlesztések eredményeit.

Éppen ezért egyes alkatrészek (azok kódszámai illetve kiviteli módjai) előzetes bejelentés nélkül megváltozhatnak.

**MEGJEGYZÉS**

A HITACHI folyamatos kutatási és fejlesztési programja következtében az itt szereplő műszaki adatok előzetes bejelentés nélkül változhatnak.

**A környezeti zajra és vibrációra vonatkozó információk**

A mért értékek az EN60745 szabványnak megfelelően kerültek meghatározásra és az ISO 4871 alapján kerülnek közzétételre.

Mért A hangteljesítmény-szint: 97 dB (A)

Mért A hangnyomás-szint: 86 dB (A)

Bizonytalanság KpA: 3 dB (A)

Visseljen hallásvédelmi eszközt.

A jellemző súlyozott gyorsulás négyzetes középértéke: 5,6 m/s<sup>2</sup> (CJ110MV), 5,2 m/s<sup>2</sup> (CJ110MVA).

**1. táblázat** A megfelelő fűrészlapok listája

Vágandó anyag	Fűrészlap	1 sz. (Hosszú)	1 sz. (Szuper hosszú)	11 sz.	12 és, 42 sz.	15 sz.	16 és, 46 sz.	21 sz.	22 sz.	41 sz.	97 sz.	123X
		Anyagvastagság (mm)										
Fűrészárú	Általános fűrészárú	105 alatt	110 alatt	10 ~ 55	20 alatt			10 ~ 55	5 ~ 40	10 ~ 65		
	Rétegelt lemez			5 ~ 30	10 alatt			5 ~ 30	3 ~ 20			
Vaslemez	Lágyacél lemez					3 ~ 6	3 alatt				2 ~ 5	1,5 ~ 10
	Rozsdamentes acél lemez										1,5 ~ 2,5	
Nem vasfémek	Alumínium, vörösréz, sárgaréz					3 ~ 12	3 alatt				5 alatt	
	Alumínium ablakszárny					Magasság egfeljebb 25					Magasság legfeljebb 25	Magasság legfeljebb 30
Műanyagok	Fenolgyanta, melamin, gyanta, stb.					5 ~ 20	6 alatt	5 ~ 15	6 alatt		5 ~ 15	
	Vinilklorid, akrilgyanta, stb.			5 ~ 30	10 alatt	5 ~ 20	5 alatt	5 ~ 30	3 ~ 20		5 ~ 15	
	Polietilén hab, sztirolhab			10 ~ 55	3 ~ 25	5 ~ 25	3 ~ 25	10 ~ 55	3 ~ 40		5 ~ 25	
Papírpép	Kartonpapír, hullámpapír			10 ~ 55	3 ~ 25			10 ~ 55	3 ~ 40			
	Préselt lemez					3 ~ 25	6 alatt				3 ~ 25	
	Préselt rostlemez						6 alatt					

**MEGJEGYZÉS**

○ Az 1 sz. (Hosszú), az 1 sz. (Szuper hosszú), valamint a 21, 22 és 41 sz. fűrészlapok minimális vágási sugara 100 mm.

## VŠEOBECNÉ BEZPEČNOSTNÍ PŘEDPISY

### UPOZORNĚNÍ!

#### Prostudujte si všechny pokyny

Nedodržování všech níže uvedených pokynů může způsobit úraz elektrickým proudem, vznik požáru a/nebo vážné zranění. Pojem "elektrické nářadí" ve všech níže uvedených upozorněních se vztahuje na elektricky poháněné nářadí připojené (pomocí přívodní šňůry) k elektrické síti nebo na elektrické (bezšňůrové) nářadí poháněné akumulátorem.

### DODRŽUJTE TYTO POKYNY

#### 1) Pracovní prostor

- a) Udržujte pracovní prostor v čistotě a zajistěte jeho dobré osvětlení.  
*Neuspořádaný pracovní prostor a neosvětlené plochy mohou být příčinou nehod.*
- b) Neprovozujte elektrické nářadí ve výbušných prostředích, jako je například prostor s výskytem hořlavých kapalin, plynů nebo prachu.  
*Při provozu elektrického nářadí vznikají jiskry, které mohou vznítit prach nebo výparu.*
- c) Zajistěte, aby se při provozu elektrického nářadí nezdřezovaly v blízkosti dětí nebo okolostojící osoby.  
*Odvedení pozornosti může způsobit ztrátu kontroly nad nářadím.*

#### 2) Elektrická bezpečnost

- a) Zástrčky elektrického nářadí musí odpovídat používané zásuvce.  
*Nikdy jakýmkoli způsobem neupravujte zástrčku. Nepoužívejte jakékoli rozvodné zástrčky s uzemněným (ukostřeným) elektrickým nářadím. Původní neupravené zástrčky a vhodné zásuvky snižují nebezpečí úrazu elektrickým proudem.*
- b) Vyvarujte se kontaktu s uzemněnými nebo ukostřenými plochami, jako jsou např. trubky, radiátory, sporáky a chladničky.  
*Vzniká zvýšené nebezpečí úrazu elektrickým proudem, pokud je Vaše tělo uzemněné nebo ukostřené.*
- c) Nevystavujte elektrické nářadí dešti nebo mokřým podmínkám.  
*Voda, která vnikne do elektrického nářadí, zvyšuje nebezpečí úrazu elektrickým proudem.*
- d) Nezacházejte s přívodní šňůrou nevhodným způsobem. Nikdy nepoužívejte přívodní šňůru pro nošení, tahání nebo vypořádání elektrického nářadí. Zajistěte, aby se přívodní šňůra nedostala do kontaktu se zdroji tepla, olejem, ostrými hranami nebo pohyblivými se částmi.  
*Poškozené nebo zauzlené přívodní šňůry zvyšují nebezpečí úrazu elektrickým proudem.*
- e) Při práci s elektrickým nářadím ve vnějších prostorách používejte prodlužovací šňůru vhodnou pro venkovní použití.  
*Použití přívodní šňůry vhodné pro venkovní prostředí snižuje nebezpečí úrazu elektrickým proudem.*

#### 3) Bezpečnost osob

- a) Buďte při práci vždy pozorní, sledujte prováděnou práci a během práce s elektrickým nářadím postupujte rozumně.  
*Nepoužívejte elektrické nářadí v případě únavy nebo pod vlivem drog, alkoholu nebo léků.*

*Pouhý okamžik nepozornosti při práci s elektrickým nářadím může způsobit vážné zranění.*

- b) **Používejte ochranné pomůcky. Vždy používejte ochranu zraku.**

*Ochranné pomůcky, jako jsou protiprachová maska, obuv s neklouzavou úpravou podrážky, ochranná přilba nebo chrániče sluchu použité pro vhodné podmínky sníží nebezpečí zranění.*

- c) **Zajistěte, aby nedošlo k náhodnému spuštění nářadí. Zabezpečte, aby vypínač byl před zapojením do sítě v poloze vypnuto.**

*Nošení elektrického nářadí s prstem na vypínači a připojování elektrického nářadí s vypínačem v poloze zapnuto může způsobit nehody.*

- d) **Před zapnutím elektrického nářadí vymontujte všechny seřizovací klíče.**

*Klíč upevněný na otáčející se části elektrického nářadí může způsobit zranění osob.*

- e) **Zajistěte náležitou stabilitu při práci. Během práce je třeba vždy zaujmout náležitou a stabilní postoj.**

*Tim se dosáhne lepšího ovládnutí elektrického nářadí v neočekávaných situacích.*

- f) **Při práci používejte vhodný oděv. Nepoužívejte volný oděv nebo šperky. Zajistěte, aby se Vaše vlasy, oděv nebo rukavice nedostaly do kontaktu s pohyblivými se částmi nářadí.**

*Volný oděv, šperky nebo dlouhé vlasy se mohou zachytit do pohyblivých se částí.*

- g) **Pokud se používají zařízení pro připojení odsávání prachu a sběrných zařízení, zajistěte jejich správné zapojení a použití.**

*Používejte tato zařízení pro snížení nebezpečí, která vznikají v prašném prostředí.*

#### 4) Použití a ošetřování elektrického nářadí

- a) **Netlačte na elektrické nářadí. Pro Váš způsob použití zvolte správné elektrické nářadí.**

*Správné elektrické nářadí provede práci lépe a bezpečněji rychleji, pro které bylo konstruováno.*

- b) **Nepoužívejte elektrické nářadí, pokud vypínač není funkční.**

*Jakékoli elektrické nářadí, které nelze ovládat vypínačem, je nebezpečné a je třeba je opravit.*

- c) **Při provádění jakýchkoli nastavení, změně přisloušenství nebo uskladňování elektrického nářadí odpojte vždy zástrčku ze zdroje energie.**

*Tato preventivní bezpečnostní opatření snižují nebezpečí náhodného uvedení elektrického nářadí do chodu.*

- d) **Uložte nepoužívané elektrické nářadí mimo dosah dětí a nedovolte, aby osoby, které nejsou seznámeny s provozem elektrického nářadí a s těmito pokyny, toto elektrické nářadí používaly.**

*Elektrické nářadí je v rukou nevyškoleného uživatele nebezpečné.*

- e) **Provádějte údržbu elektrického nářadí. Zkontrolujte elektrické nářadí, zda je správně seřízené nebo nedochází k vážnutí chodu pohyblivých se částí, zda nejsou nějaké části poškozené a zda nevznikly jakékoli jiné poruchy, které mohou negativně ovlivnit provoz elektrického nářadí.**

*V případě poškození si nechejte elektrické nářadí před použitím opravit.*

Velký počet nehod je způsobeno nedostatečnou údržbou elektrického nářadí.

- f) **Udržujte řezné nástroje ostré a čisté.**  
Správným způsobem udržované řezné nástroje s ostrými břity mají menší sklon k uváznutí a snadněji se při práci ovládají.
- g) **Používejte elektrické nářadí, příslušenství, nástavce nástroje atd. ve shodě s těmito předpisy a způsobem stanoveným pro jednotlivý typ elektrického nářadí a přitom zohledněte pracovní podmínky a druh prováděné práce.**  
Použití elektrického nářadí pro práce odlišné od stanoveného účelu použití může způsobit nebezpečné situace.

5) Servis

- a) **Nechejte si provádět servis Vašeho elektrického nářadí kvalifikovanými opraváři a přitom používejte jen originální náhradní díly.**  
Tím se zajistí zachování bezpečnosti elektrického nářadí.

**PARAMETRY**

Napětí (podle oblastí)*	(110V, 115V, 120V, 127V, 220V, 230V, 240V) $\cup$
Vstupní příkon*	720W
Maximální hloubka řezu	Dřevo 110 mm Měkká ocel 10 mm
Rychlost bez zatížení	850 – 3000min <sup>-1</sup>
Zdvih	26 mm
Minimální poloměr řezu	25 mm
Váha (bez napájecího kabelu)	2,2 kg

\* Zkontrolujte, prosíme, štítek na výrobku. Štítek podléhá změnám v závislosti na oblastech použití.

**STANDARDNÍ PŘÍSLUŠENSTVÍ**

- (1) Listy (č. 41) ..... 1  
Použití listů je uvedeno v **tabulce 1**.
- (2) Klíč na vnitřní šestihrany ..... 1
- (3) Ochranný kryt proti odštěpování ..... 1
- (4) Sběrač prachu ..... 1
- (5) Kryt proti třískám ..... 1
- Standardní příslušenství podléhá změnám bez upozornění.

**DOPLŇKOVÉ PŘÍSLUŠENSTVÍ**

..... **Prodává se zvlášť**

- (1) Různé typy listů  
Použití listů je uvedeno v **tabulce 1**.
- (2) Vedení
- (3) Podkladová deska
- (4) Stojan pracovního stolu (model TR12-B)
- Doplňky podléhají změnám bez předchozího upozornění.

**POUŽITÍ**

- Řezání různých dřevěných prken a řezání otvorů
- Řezání desek z měkké oceli, hliníku a mědi
- Řezání syntetických pryskyřic, jako je např. fenolová pryskyřice a vinylchlorid

**PREVENTIVNÍ OPATŘENÍ**

**Zajistěte, aby děti a nemocné osoby se nezdržovaly v blízkosti.**  
**Pokud se nářadí nepoužívá, je třeba je uskladnit mimo dosah dětí a nemocných osob.**

**BEZPEČNOSTNÍ OPATŘENÍ PŘI POUŽITÍ PŘÍMOČARÉ PÍLY**

Tato přímočará pila používá vysokovýkonný motor. Používali se toto nářadí trvale při malých otáčkách, je motor mimořádně zatížen, což může způsobit zadření motoru. Toto elektrické nářadí provozujte vždy tak, aby se list během provozu nesešel materiálem. Vždy nastavte rychlost listu tak, aby se dosáhlo hladkého řezání.

- Řezání tenkých a měkkých konstrukčních materiálů
- Řezání desek z nerezavějící oceli (s listem č. 97)

**PŘED POUŽITÍM**

- 1. Zdroj napětí**  
Ujistěte se, že používaný zdroj napětí splňuje požadavky specifikované na štítku výrobku.
- 2. Spínač**  
Ujistěte se, že spínač je v poloze vypnuto. Pokud je zástrčka zasunuta v zásuvce elektrického proudu a spínač je v poloze „ON“, nástroj začne okamžitě pracovat, a to může způsobit vážný úraz.
- 3. Prodlužovací kabel**  
Pokud je pracoviště vzdáleno od zdroje, použijte prodlužovací kabel o správné tloušťce a kapacitě. Je třeba, aby prodlužovací kabel byl co nejkratší.
- 4. Prašnost během provozu**  
Prach vznikající během běžného provozu může mít nepříznivý vliv na zdraví obsluhy. Doporučuje se aplikovat některé z následujících opatření.

- a) **Používejte ochrannou masku**
- b) **Používejte vnější odsávací zařízení**

Pokud používáte externí zařízení pro zachycování prachu, připojte adaptér k hadici z externího zařízení zachycování prachu.

## 5. Výměna listů

- (1) Otevřete páku směrem nahoru k zarážce. **(Obr. 1-I)**
- (2) Vymontujte upevněný list.
- (3) Vložte nový list směrem nahoru k zarážce. **(Obr. 1-II)**
- (4) Zavřete páku. **(Obr. 1-III)**

## UPOZORNĚNÍ

- Ujistěte, že jste při výměně listů vypnuli přívod proudu a odpojili zástrčku z elektrické zásuvky.
- Neotvírejte páku, když se plunžr pohybuje.

## POZNÁMKA:

- Upevněte spolehlivým způsobem výstupky listu vloženého do držáku listu. **(Obr. 2)**
- Upevněte list umístěný v drážce klady. **(Obr. 3)**

## 6. Seřízení provozní rychlosti listu

Tato přímočará pila je vybavena elektrickým řídicím obvodem, který umožňuje plynulou regulaci rychlosti. Pro nastavení rychlosti otočte kotoč se stupnicí znázorněný na **obr. 4**. Když je kotoč se stupnicí nastaven do polohy „1“, přímočará pila pracuje minimální rychlostí (850 min<sup>-1</sup>). Když je kotoč se stupnicí nastaven do polohy „5“, přímočará pila pracuje maximální rychlostí (3000 min<sup>-1</sup>). Nastavte rychlost podle řezaného materiálu a podle pracovní výkonnosti.

## UPOZORNĚNÍ

Při malé rychlosti (nastavení kotoče se stupnicí: 1 nebo 2) neprovádějte řezání dřeva tloušťky větší než 10 mm nebo kovu tloušťky větší než 1 mm.

## 7. Seřízení oběžného režimu řezání

- (1) Tato přímočará pila má schopnost pracovat v oběžném režimu řezání, při kterém se list pohybuje zpět a vpřed a také nahoru a dolů. Nastavte přepínací tlačítko znázorněné na **obr. 5** do polohy „0“ pro výřazení oběžného režimu z funkce (list se pohybuje pouze nahoru a dolů). Lze nastavit 4 stupně oběžného režimu řezání v rozsahu od „0“ do „III“.
- (2) Pro tvrdé materiály, jako jsou např. ocelové desky atd., snižte stupeň oběžného režimu řezání. Pro měkké materiály, jako jsou dřevěná prkna, umělé hmoty atd., zvýšte stupeň oběžného režimu řezání pro zvýšení pracovní výkonnosti. Pro přesné řezání materiálů, zvýšte stupeň oběžného režimu řezání.

## 8. Řezání desek z nerezavějící oceli

Tato přímočará pila může řezat desky z nerezavějící oceli pomocí listu č. 97. Pro správný postup při řezání si důkladně prostudujte oddíl „Řezání desek z nerezavějící oceli“.

## 9. Ochranný kryt proti odštěpování

Použitím ochranného krytu proti odštěpování při řezání dřevěných materiálů snižuje odštěpování řezané plochy. Vložte ochranný kryt proti odštěpování do prostoru na základní desce a zatlačte jej na doraz. (viz **obr. 6**)

## 10. Kryt proti třískám

Kryt proti třískám zabraňuje odlétávání třísek a zlepšuje účinnost sběrače prachu.

Vložte kryt proti třískám mezi základní desku a páku a zatlačte jej mírným tlakem, až zapadne do své polohy. **(Obr. 7)**

Když demontujete kryt proti třískám, přidržeťte obě strany držadla a mírně jej otevřete tak, aby jej bylo možné vymontovat z lupénkové pily. **(Obr. 8)**

## POZNÁMKA:

Může dojít k tomu, že kryt proti třískám se při řezání kovu zadře.

## 11. Podkladová deska

Použitím podkladové desky (vyrobené z oceli) se sníží otěr hliníkové základní desky zvláště při řezání kovů. Použitím podkladové desky (vyrobené z pryskyřice) se sníží poškrábání řezané plochy. Upevněte podkladovou desku ke spodní ploše základní desky pomocí 4 šroubů.

## 12. Zapnutí svítilny

Zapnutí svítilny se provádí stisknutím přepínače. Uvolněním přepínače se svítilna vypne.

## UPOZORNĚNÍ:

Nedívejte se do světla nebo nepozorujte přímo zdroj světla.

---

## ŘEZÁNÍ

---

## UPOZORNĚNÍ

- Aby se zabránilo posunutí, poškození nebo nadměrnému opotřebení listu na plunžru, zajistěte, aby plocha základní desky byla při řezání přiložena k řezanému materiálu.

## 1. Přímocharé řezání

Při řezání v lineární směru nejdříve si nakreslete pomocí stojánkového nádrhu čáru a pilu vedte podél této čáry. Pomocí vedení (dodává se samostatně) je možné provádět přesné řezání v přímce.

- (1) Pomocí klíče na vnitřní šestihrany uvolněte šroub základní desky upevněný na základní desce. **(Obr. 9)**
- (2) Přesuňte základní desku zcela dopředu **(obr. 10)** a opět dotáhněte šroub základní desky.
- (3) Upevněte vedení prostrčením přes upevňovací otvor na základní desce a dotáhněte šroub M5. **(Obr. 11)**
- (4) Nastavte polohu pro oběžný režim řezání na „0“.

## POZNÁMKA:

Aby se zajistilo přesné řezání při použití vedení **(obr. 11)**, vždy nastavte polohu pro oběžné řezání na „0“.

## 2. Řezání zakřivených linií

Když provádíte řezání malého kruhového oblouku, zmenšete příslušnou rychlost posuvu nářadí. Pokud má nářadí příliš rychlý posuv, může dojít k prasknutí listu.

## 3. Řezání kruhu nebo kruhového oblouku

Pro kruhové řezání je také vhodnou pomůckou vedení. Po upevnění vedení způsobem uvedeným výše, zarazte hřebík nebo zašroubujte šroub do materiálu přes otvor na vedení, pak jej použijte jako osu při řezání. **(Obr. 12)**

## POZNÁMKA:

List musí být při kruhovém řezání přibližně kolmý ke spodní ploše základní desky.

## 4. Řezání kovových materiálů

- (1) Nastavte kotoč se stupnicí pro nastavení rychlosti mezi stupni „3“ a „4“.
- (2) Nastavte polohu pro oběžný režim řezání na „0“ nebo „I“.
- (3) Vždy použijte vhodnou řeznou kapalinu (vřetenový olej, mýdlová voda atd.). Pokud není řezná kapalina k dispozici, naneste na zadní plochu materiálu určeného k řezání tuk.

## 5. Řezání dř

- (1) V dřevěném prkně Vyrovnajte směr listu se žilkováním dřeva a řezejte krok za krokem, dokud se nevyřízne průchozí otvor uprostřed prkna. **(Obr. 13)**
- (2) V jiných materiálech

Při řezání průchozího otvoru v materiálech jiných než dřevěná prkna nejdříve vrtačkou nebo podobným nářadím vyvrtejte otvor, od kterého se začne řezání.

## 6. Šikmé řezání

Základní desku lze pro šikmé řezání natočit na obě strany až o 45°. (Obr. 14)

- (1) LUvolněte šroub základní desky pomocí klíče na vnitřní šestihrany upevněného na základní desce a posuňte základní desku zcela dopředu. (Obr. 9, 10)
- (2) Vyrovnajte stupnici (od 0 stupňů do 45 stupňů s dílky velikosti 15 stupňů) polokruhové části základní desky se značkou [▽] na krytu ozubeného převodu. (Obr. 15)
- (3) Opět dotáhněte šroub M5. (Obr. 9)
- (4) Nastavte polohu pro oběžný režim řezání na „0“.

### POZNÁMKA:

Šikmé řezání nelze provádět, když se používá kryt proti třískám nebo sběrač prachu.

## PŘIPOJENÍ ODSAVAČE PRACHU

Připojením odsavače prachu (dodávaný samostatně) přes sběrač prachu a adaptér (dodávaný samostatně) lze zachytit většinu vznikajícího prachu.

- (1) Demontujte klíč na vnitřní šestihrany ze základní desky.
- (2) Přesuňte základní desku zcela dopředu. (Obr. 9, 10)
- (3) Upevněte kryt proti třískám.
- (4) Připojte sběrač prachu s adaptérem. (Obr. 16)
- (5) Spojte adaptér s nosem odsavače prachu. (Obr. 16)
- (6) Vložte sběrač prachu do zadního otvoru základní desky, až hák zapadne do zářezu. (Obr. 17)
- (7) Demontáž sběrače prachu se provádí stisknutím háku.

### POZNÁMKA

Používejte protiprachovou masku, pokud ji máte k dispozici.

## ŘEZÁNÍ DESEK Z NEREZAVĚJÍCÍ OCELI

### UPOZORNĚNÍ

Aby se zabránilo posunutí, poškození nebo nadměrnému opotřebení listu na plunžru, zajistěte, aby plocha základní desky byla při řezání přiložena k řezanému materiálu.

Při řezání desek z nerezavějící oceli nastavte nářadí tak, jak je níže popsáno:

#### 1. Seřízení rychlosti

List	Tloušťka materiálu	Číselná stupnice
Č. 97	1,5 – 2,5 mm	Poloha střední drážky mezi stupni „2“ a „3“

### POZNÁMKA

Údaj na číselné stupnici je pouze orientační. Čím je vyšší rychlost, tím rychleji se materiál reže. V tomto případě se však sníží životnost listu.

Pokud je rychlost příliš nízká, řezání bude trvat delší dobu, ale životnost listu se prodlouží. Proveďte nastavení podle Vašich požadavků.

#### 2. Nastavte polohu pro oběžný režim řezání na „0“

### POZNÁMKA

- Při řezání používejte řeznou kapalinu (řezná kapalina na bázi oleje) pro prodloužení životnosti listu.

## VOLBA LISTŮ

### ○ Doplněk listy

Aby se zajistila maximální provozní účinnost a výsledky, je velmi důležité zvolit patřičný list, který je nejlépe vhodný pro typ a tloušťku materiálu určeného k řezání. Jako standardní výbava se dodávají tři typy listů. Číslo listu je vyryto v blízkosti místa upevnění každého listu. Zvolte vhodné listy podle **tabulky 1**.

## ULOŽENÍ KLÍČE NA VNITŘNÍ ŠESTIHRANY

Klíč na vnitřní šestihrany je možné uložit na základní desce. (viz obr. 18)

## ÚDRŽBA A KONTROLA

### 1. Kontrola nástroje

Používání tupého nebo poškozeného listu má za následek snížení účinnosti řezání a může způsobit přetížení motoru. Jakmile zjistíte nadměrné opotřebení listu, vyměňte jej za nový.

### 2. Kontrola šroubů:

Pravidelně zkontrolujte všechny šrouby a ujistěte se, že jsou správně utažené. Pokud najdete některé šrouby uvolněné, ihned je utáhněte. Neutažené šrouby mohou vést k vážnému riziku.

### 3. Údržba motoru

Vinutí motoru je srdce elektrického zařízení. Ujistěte se, že vinutí není poškozené nebo vlhké vodou nebo olejem.

### 4. Kontrola uhlíkových kartáčků

Za účelem Vaší trvalé bezpečnosti a ochrany proti úrazu elektrickým proudem by mělo kontrolu uhlíkových kartáčků a jejich výměnu na tomto nářadí provádět POUZE Autorizované Servisní Středisko firmy Hitachi.

### 5. Výměna přívodní kabelu

Pokud dojde k poškození přívodního kabelu nářadí, je třeba nářadí zaslat do Autorizovaného Servisního Střediska firmy Hitachi pro provedení výměny kabelu.

### 6. Seznam servisních položek

- A: Číslo položky
- B: Kód položky
- C: Číslo použití
- D: Poznámky

### POZOR

Oprava, modifikace a inspekce zařízení Hitachi musí být provedeny autorizovaným servisním střediskem Hitachi.

Tento seznam servisních položek bude pomocí, předložíte-li jej s vaším zařízením autorizovanému servisnímu středisku Hitachi společně s požadavkem na opravu nebo další servis.

Při obsluze a údržbě elektrických zařízení musí být dodržovány bezpečnostní předpisy a normy platné v každé zemi, kde je výrobek používán.

### MODIFIKACE

Výrobky firmy Hitachi jsou neustále zdokonalovány a modifikovány tak, aby se zavedly nejposlednější výsledky výzkumu a vývoje.

Následně, některé díly (např. čísla kódů nebo návrh) mohou být změněny bez předešlého oznámení.

## POZNÁMKA:

Vlivem stále pokračujícího výzkumného a vývojového programu HITACHI mohou zde uvedené parametry podléhat změnám bez předchozího upozornění.

## Informace o hluku a vibracích

Měřené hodnoty byly určeny podle EN60745 a deklarovány ve shodě s ISO 4871.

Změřená vážená hladina akustického výkonu A: 97 dB (A)

Změřená vážená hladina akustického tlaku A: 86 dB (A)

Neurčitost KpA: 3 dB (A)

Použijte ochranu sluchu.

Typická vážená střední hodnota zrychlení nepřesahuje 5,6 m/s<sup>2</sup> (CJ110MV), 5,2 m/s<sup>2</sup> (CJ110MVA).

Tabulka 1 Seznam vhodných listů

Řezaný materiál	List	Č. 1	Č. 1	Č. 11	Č. 12,	Č. 15	Č. 16,	Č. 21	Č. 22	Č. 41	Č. 97	123X
		(Dlouhý)	(Velmi dlouhý)		42		46					
	Kvalita materiálu	Tloušťka materiálu (mm)										
Dřevěné prkno	Běžné prkno	Pod 105	Pod 110	10 ~ 55	Pod 20			10 ~ 55	5 ~ 40	10 ~ 65		
	Překližka			5 ~ 30	Pod 10			5 ~ 30	3 ~ 20			
Ocelová deska	Deska z měkké oceli					3 ~ 6	Pod 3				2 ~ 5	1,5 ~ 10
	Deska z nerezavějící oceli										1,5 ~ 2,5	
Neželezný kov	Hliník, měď, mosaz					3 ~ 12	Pod 3				Pod 5	
	Hliníkový pás					Výška až 25					Výška až 25	Výška až 30
Umělé hmoty	Fenolová pryskyřice, melamin, pryskyřice atd.					5 ~ 20	Pod 6	5 ~ 15	Pod 6		5 ~ 15	
	Vinylchlorid, akrylátová pryskyřice atd.			5 ~ 30	Pod 10	5 ~ 20	Pod 5	5 ~ 30	3 ~ 20		5 ~ 15	
	Pěnový polyetylén, polystyrén			10 ~ 55	3 ~ 25	5 ~ 25	3 ~ 25	10 ~ 55	3 ~ 40		5 ~ 25	
Celulóza	Lepenka, vlnitá lepenka			10 ~ 55	3 ~ 25			10 ~ 55	3 ~ 40			
	Dřevovláknitá lisovaná deska					3 ~ 25	Pod 6				3 ~ 25	
	Dřevovláknitá deska						Pod 6					

## POZNÁMKA

○ Minimální řezný poloměr listů č. 1 (Dlouhý), č. 1 (Velmi dlouhý), č. 21, č. 22 a č. 41 činí 100 mm.

## GENEL GÜVENLİK KURALLARI

### DİKKAT!

#### Bütün talimatları okuyun

Aşağıda belirtilen talimatların tümünün uygulamaması, elektrik çarpması, yangın ve/veya ciddi yaralanmalara sonuçlanabilir.

Aşağıdaki uyarılarda belirtilen "Elektrikli alet" terimi, işletilen (kablolu) veya (kablesiz) ana elektrik aletlerini kapsar.

### BU TALİMATLARI SAKLAYINIZ

#### 1) Çalışma ortamı

- Çalışma ortamı temiz ve iyi ışıklandırılmış olmalıdır.**  
*Dağınık ve karanlık ortamlar kazanın davetçisidir.*
- Yanıcı sıvıların, gazların veya tozların bulunduğu patlayıcı ortamlarda elektrikli aletlerle çalışmayınız.**  
*Elektrikli aletler kıvılcım sıçratabilir ve de gaz tozlarını ateşleyebilir.*
- Elektrikli alet kullanırken çocuklardan ve seyircilerden uzak tutun.**  
*Dikkat dağıtıcı şeyler kontrolü kaybetmenize yol açabilir.*

#### 2) Elektrik güvenliği

- Elektrikli aletin fişi prize uygun olmalıdır. Fişi hiçbir şekilde değiştirmeye çalışmayın. Elektrikli aletin topraklanmış fişinde herhangi bir adaptör kullanmayın.**  
*Değiştirilmemiş fişler ve onlarla uygun prizler elektrik çarpmaya riskini azaltır.*
- Boru, radyatör, ocak/fırın ve buzdolabı gibi topraklanmış yüzeylerle vücut temasından sakının.**  
*Vücüdünüzün toprakla temasa geçmesi elektrik çarpmaya riskini artırır.*
- Elektrikli aletleri yağmur ve ıslak ortamlara maruz bırakmayın.**  
*Elektrikli aletin içersine su girmesi elektrik çarpmaya riskini artırır.*
- Güç kablosuna zarar vermeyin. Elektrikli aleti taşımak, çekmek veya prizden çıkarmak için kabloyu kullanmayın.**  
*Kabloyu kesici veya hareketli parçalardan, sıcak yüzeylerden ve yağdan uzak tutun. Hasar görmüş veya dolaşmış kablolar elektrik çarpmaya riskini artırır.*
- Elektrikli aleti açık alanlarda kullanırken, açık alana özel uzatma kablosu kullanın.**  
*Açık alana özel kablolar elektrik çarpmaya riskini azaltır.*

#### 3) Kişisel güvenlik

- Daima tetikte olun, elektrikli aleti kullanırken ne yaptığının farkında ve duyarlı olun. Elektrikli aleti alkol, ilaç veya uyuşturucu etkisi altındayken veya yorgunken çalıştırmayın.**  
*Elektrikli aleti kullanırken gösterilecek bir sanayelik dikkatsizlik, ciddi yaralanmalara yol açabilir.*
- Koruyucu ekipman kullanın. Daima koruyucu gözlük takın.**  
*Toz maskesi, kaymayan emniyet ayakkabısı, sert başlık veya işitme koruyucusu gibi koşullara uygun olan ve yaralanma riskini azaltıcı koruyucu ekipmanlar kullanın.*

- Aletin istem dışı çalışmasına karşı önlem alın. Prize takmadan önce şalter düğmesinin kapalı konumda olduğundan emin olun.**  
*Elektrikli aleti parmağınız şalter üzerinde olduğu halde taşımak veya prize takmak kazanın davetçisidir.*
- Elektrikli aleti çalıştırmadan önce ayar anahtarlarını çıkartın.**  
*Elektrikli aletin dönen kısmına takılı kalmış olan bir anahtar, yaralanmalara yol açabilir.*
- Fazla uzanmayın. Ayaklarınızın konumuna ve dengeye her zaman dikkat edin.**  
*Böylece beklenmedik bir durumla karşılaştığınızda, elektrikli aleti daha iyi kontrol altında tutmanızı sağlar.*
- Uygun çalışma giysisi giyin. Bol giysiler ve takıların kaçınınız. Saçınızı, giysilerinizi ve eldiveninizi hareketli parçalardan uzak tutun.**  
*Bol giysiler, takılar veya uzun saç oynayan parçalara takılabilir.*
- Toz toplama bağlantısı için gerekli teçhizat ve bağlantı araçları sağlanmışsa, bunların bağlı olduğundan ve doğru şekilde kullanıldığından emin olun.**  
*Bu teçhizatların kullanılması tozun yaratacağı tehlikeleri azaltacaktır.*

#### 4) Elektrikli aletin kullanımı ve bakımı

- Elektrikli aleti zorlamayın. Yapacağınız işe uygun doğru aleti kullanın.**  
*Doğru elektrikli aletin kullanılması işinizi hem kolaylaştıracağı gibi hem de tasarlanmış süratte daha güvenli bir şekilde yapmanızı sağlar.*
- Eğer elektrikli aletin şalter düğmesi açılıp kapanmıyorsa, aleti kullanmayın.**  
*Şalter düğmesinden kumanda edilemeyen elektrikli aletler tehlike yaratır ve tamir edilmeleri gerekir.*
- Aksesuar değişimlerinde, ayarlamalar sırasında veya elektrikli aleti saklamadan önce elektrik bağlantısını kesin.**  
*Bu gibi önleyici emniyet tedbirleri elektrikli aletin istem dışı çalışmaya riskini azaltır.*
- Kullanılmayan elektrikli aletleri çocukların ulaşamayacağı yerlerde tutun. Aleti kullanmasını bilmeyen ve bu talimatlara aşina olmayan kişilere kullanırmayın.**  
*Elektrikli aletler deneyimsiz ve eğitilmemiş kişilerin eline tehlikeli olur.*
- Elektrikli aletin bakımını yapın. Hareketli parçaların yapışmamasını, kırık olmasını, düzensiz hizalanmasını veya aletin işletimini etkileyecek herhangi bir durumun olmadığını kontrol edin.**  
*Çoğu kazaya yetersiz bakımlı elektrikli aletleri neden olur.*
- Aletlerinizi keskin ve temiz tutun. Düzenli bakımı yapılmış keskin uçlu takımların yapışma ihtimali azdır ve de kontrol edilmeleri daha kolaylaşır.**
- Elektrikli aleti, aksesuarları ve uçları vs. bu talimatlar doğrultusunda ve o elektrikli aletin amaçlanan kullanımı için, çalışma koşullarını ve de yapılacak işi göz önüne alarak kullanın.**  
*Elektrikli aletin amaçlanan kullanımı dışında kullanılması tehlikeli bir durum yaratabilir.*

## 5) Servis

- a) Elektrikli aleti vasıflı bir kişi tarafından sadece özde yedek parçalar kullanarak tamir edilmesini sağlayın. Böylece elektrikli aletin güvenli kullanımını sağlanacaktır.

## ÖNLEM

**Çocukları ve diğer yeterli güce sahip olmayan kişileri uzak tutun.**

**Kullanılmadığı zamanlarda aleti çocuk ve yeterli güce sahip olmayan kişilerin ulaşamayacağı bir yerde saklayın.**

## TEKNİK ÖZELLİKLER

Voltaj (bölgelere göre)*	(110V, 115V, 120V, 127V, 220V, 230V, 240V) ~
Güç girişi*	720W
Maks. Kesme Derinliği	Ahşap 110 mm Yumuşak Çelik 10 mm
Yüksüz hız	850 – 3000 dak <sup>-1</sup>
Darbe	26 mm
Min. Kesme Yarıçapı	25 mm
Ağırlık (kordonsuz)	2,2 kg

\* Bu değer bölgeden bölgeye değişiklik gösterdiği için ürünün üzerindeki plakayı kontrol etmeyi unutmayın.

## STANDART AKSESUARLAR

- (1) Bıçaklar (No. 41) ..... 1  
Bıçakların kullanımı için **Tablo 1'e** bakın.
- (2) Alyan anahtarı ..... 1
- (3) Kıymık muhafazası ..... 1
- (4) Toz toplayıcı ..... 1
- (5) Talaş/yonga kapağı ..... 1
- Standart aksesuarlarda önceden bildirimde bulunulmadan değişiklik yapılabilir.

## İSTEĞE BAĞLI AKSESUARLAR ... Ayrıca satılır

- (1) Çeşitli bıçak türleri  
Bıçakların kullanımı için **Tablo 1'e** bakın.
- (2) Kılavuz
- (3) İkinci taban
- (4) Tezgah sehпасı (Model TR12-B)  
İsteğe bağlı aksesuarlarda önceden bildirimde bulunulmadan değişiklik yapılabilir.

## UYGULAMALAR

- Çeşitli ahşapları kesme ve cep açma
- Yumuşak çelik plaka, alüminyum plaka ve bakır plaka kesme
- Fenol reçine ve vinil klorür gibi sentetik reçineleri kesme
- İnce ve yumuşak inşaat malzemelerini kesme
- Paslanmaz çelik plaka kesme (No. 97 bıçak ile)

## ALETİ KULLANMADAN ÖNCE

## 1. Güç kaynağı

Kullanılan güç kaynağının, ürünün üzerinde bulunan plakada belirtilen güç gerekliliklerine uygun olduğundan emin olun.

## DEKUPAJIN KULLANIMIYLA İLGİLİ ÖNLEMLER

Bu dekupajın güçlü bir motoru vardır. Alet sürekli olarak düşük hızda kullanılırsa motora, motorda tutukluğa neden olabilecek ilave yük uygulanmış olur. Elektrikli aleti daima çalışma sırasında bıçağın malzemeye yakalanmayacağı şekilde çalıştırın. Daima bıçak hızını düzgün kesim elde edecek şekilde ayarlayın.

## 2. Açma/ Kapama anahtarı

Açma/ kapama anahtarının OFF konumunda olduğundan emin olun. Açma/ kapama anahtarı ON konumundayken aletin fişi prize takılırsa, alet derhal çalışmaya başlar ve ciddi kazalar meydana gelebilir.

## 3. Uzatma kablosu

Çalışma alanı güç kaynağından uzakta olduğunda, yeterli kalınlıkta ve belirtilen gücü kaldırabilen bir uzatma kablosu kullanın. Uzatma kablosu olabildiğince kısa tutulmalıdır.

## 4. İşletim sırasında çıkacak tozlar

Normal işletim sonucu oluşan tozlar kullanıcının sağlığını olumsuz yönde etkileyebilir. Aşağıdakilerden birisinin kullanımını önerilir:

## a) Yüz toz maskesi kullanın

## b) Harici bir toz toplama donatımı kullanın

Harici toz toplama donatımını kullanırken adaptörü harici toz toplama donatımından çıkan hortumla birleştirin.

## 5. Bıçak değiştirme

- (1) Kolu durma noktasına kadar açın. (**Şekil 1-I**)
- (2) Takılı bıçağı çıkarın.
- (3) Bıçak deliğine durma noktasına kadar yeni bıçağı takın. (**Şekil 1-II**)
- (4) Kolu kapatın. (**Şekil 1-III**)

## DİKKAT

- Bıçak değiştirirken aleti KAPADİĞİNİZDAN ve fişini çıkardığınızdan emin olun.
- İtici hareket halindeyken kolu açmayın.

## NOT:

- Bıçağın çıkıntılarının bıçak tutucusuna sıkıca takıldığından emin olun. (**Şekil 2**)
- Bıçağın silindirin oluşuna girdiğinden emin olun. (**Şekil 3**)



## 6. Bıçak çalışma hızını ayarlama

Bu Dekupaj, hız kontrolüne izin veren bir elektrik devresi kumandasıyla donatılmıştır. Hızı ayarlamak için **Şekil 4**'te gösterilen kadranı çevirin. Kadran "1" ayarındayken deкупaj minimum hızda çalışır (850 dak<sup>-1</sup>). Kadran "5" ayarındayken, deкупaj maksimum hızda çalışır (3000 dak<sup>-1</sup>). Hızı kesilecek malzeme ve çalışma verimliliğine göre ayarlayın.

## DİKKAT

Düşük hızlarda (kadran ayarı: 1 veya 2) kalınlığı 10 mm'den fazla olan ahşap veya kalınlığı 1 mm'den fazla olan metal kesmeyin.

## 7. Yörüngesel çalışmayı ayarlama

- (1) Bu deкупajda bıçağı yukarı aşağı yönün yanı sıra ileri geri de hareket ettiren yörüngesel çalışma kullanılmaktadır. Yörüngesel çalışmayı durdurmak için **Şekil 5**'te gösterilen değiştirme düğmesini "0" a ayarlayın (bıçak sadece aşağı yukarı hareket eder. Yörüngesel çalışma için "0" dan "III" e 4 farklı adım seçilebilir.
- (2) Çelik plaka vs. gibi sert malzemeler için yörüngesel çalışmayı azaltın. Ahşap, plastik vs. gibi yumuşak malzemeler için işin verimliliğini artırmak amacıyla yörüngesel çalışmayı artırın. Malzemeyi daha hassas bir şekilde kesmek için yörüngesel çalışmayı azaltın.

## 8. Paslanmaz çelik plaka kesme

Bu Dekupaj No. 97 bıçak kullanılarak paslanmaz çelik plakaları kesebilir. Düzgün çalışma için "Paslanmaz çelik plakaların kesilmesi" bölümünü dikkatle okuyun.

## 9. Kıymık muhafazası

Ahşap malzeme keserken kıymık muhafazasının kullanılmasını kesilen yüzeylerde kıymıklanmayı azaltacaktır.

Kıymık muhafazasını tabandaki boşluğa sokun ve tamamen itin. (bkz. **Şekil 6**)

## 10. Talaş/yonga kapağı

Talaş/yonga kapağı, yongaların uçmasını önler ve toz toplayıcının verimliliğini artırır.

Talaş/yonga kapağını taban ile kol arasında sokun ve yerine oturana kadar hafif bir baskıyla itin. (**Şekil 7**) Talaş/yonga kapağını çıkarırken düğmenin iki tarafını tutun ve Dekupajdan çıkarılabilece kadar hafifçe açın. (**Şekil 8**)

## NOT:

Metal keserken talaş/yonga kapağının buğulanması olasılığı vardır.

## 11. İkinci taban

İkinci tabanın (çelik) kullanılması, özellikle metal keserken alüminyum tabanın yıpranmasını azaltacaktır. İkinci tabanın (reçine) kullanılması kesilen yüzeyin çizilmesini azaltacaktır. İkinci tabanı, tabanın altına ekli 4 vidayı kullanarak takın.

## 12. Lamba ışığının açılması

Lambayı çalıştırmak için tetiği çekmek yeterlidir. Kapatmak için tetiği serbest bırakın.

## DİKKAT:

Işığa veya ışığın merkezine direk olarak bakmaktan sakının.

## KESME

## DİKKAT

- Bıçağın yerinden çıkmasını, İtciye hasar gelmesini veya aşırı aşınmasını önlemek için, kesme işlemi sırasında taban plakasının yüzeyinin çalıştığınız parçaya sabitlendiğinden emin olun.

## 1. Düz kesme

Düz bir çizgi üzerinde kesim yaparken önce bir işaret ölçüm çizgisi çizin ve deкупajı o çizgi üzerinde ilerletin. Kılavuzun (ayrıca satılır) kullanılması düz bir çizgi üzerinde hassas kesim yapılmasını mümkün kılacaktır.

- (1) Tabana takılı olan taban somununu alyan anahtarıyla gevşetin. (**Şekil 9**)
- (2) Tabanı tamamen ileriye itin (**Şekil 10**) ve taban somununu tekrar sıkıştırın.
- (3) Tabandaki ilave deliğinden geçirecek kılavuzu takın ve M5 somunu sıkıştırın. (**Şekil 11**)
- (4) Orbital konumunu "0" a getirin.

## NOT:

Kılavuzu kullanırken (**Şekil 11**), kesme işlemini hassas bir şekilde yapabilmek için daima orbital konumunu "0" olarak ayarlayın.

## 2. Kavisli çizgi kesme

Küçük dairesel bir yay keserken aletin besleme hızını düşürün. Alete çok hızlı besleme yapılması bıçağın kırılmasına neden olabilir.

## 3. Daire veya dairesel yay kesme

Kılavuz dairesel kesme için de işe yarar. Kılavuzu yukarıda belirtilen şekilde taktıktan sonra çivi veya vidayı kılavuzun üzerindeki delikten malzemeye sokun ve daha sonra keserken eksen olarak kullanın. (**Şekil 12**)

## NOT:

Dairesel kesmenin, bıçak tabanın alt yüzeyine yaklaşık dik tutularak yapılması gerekir.

## 4. Metal malzeme kesme

- (1) Hız Kadranını "3" ile "4" arasında ayarlayın.
- (2) Orbital konumunu "0" veya "I" olarak ayarlayın.
- (3) Daima uygun bir kesme sıvısı (mil yağı, sabunlu su vs.) kullanın. Sıvı bir kesme yağının olmadığı durumlarda, kesilecek malzemenin arka yüzeyine gres uygulayın.

## 5. Cep açma

- (1) Ahşapta Bıçak yönünü odunun yönüyle ayarlayarak, ahşabın merkezinde bir pencere deliği açılan kadar adım adım kesin. (**Şekil 13**)

## (2) Diğer malzemelerde

Ahşap dışındaki malzemelerde pencere açarken önce kesmeyi başlatmak için matkap veya benzer bir aletle delik açın.

## 6. Açısal kesme

Taban açısal kesme için iki yöne de 45° eğilebilir. (**Şekil 14**)

- (1) Taban somununu tabandaki alyan anahtarını kullanarak gevşetin ve tabanı tamamen ileriye hareket ettirin. (**Şekil 9, 10**)
- (2) Tabanın yarı dairesel kısmının ölçeğini (15 derecelik artışlarla 0 derece ile 45 derece arasında) dişli kapağının [∇] işaretiyle hizalayın. (**Şekil 15**)
- (3) M5 somunu tekrar sıkıştırın. (**Şekil 9**)
- (4) Orbital konumunu "0" olarak ayarlayın.

## NOT:

Talaflı/yonga kapağı veya toz toplayıcı takılıyken açılı kesme yapılamaz.

## TEMİZLEYİCİYLE BAĞLANTI

Toz toplayıcı ve adaptör (ayrıca satılır) aracılığıyla temizleyiciyle bağlantı yapılarak tozun çoğu toplanabilir.

- (1) Alyan anahtarını tabandan çıkarın.
- (2) Tabanı tamamen ileriye hareket ettirin. (**Şekil 9, 10**)
- (3) Talaş/yonga kapağını takın.

- (4) Toz toplayıcıyı adaptöre bağlayın. (Şekil 16)
- (5) Adaptörü temizleyicinin burnuna bağlayın. (Şekil 16)
- (6) Askı çentiğe geçene kadar toz toplayıcıyı tabanın arka deliğine sokun. (Şekil 17)
- (7) Toz toplayıcıyı çıkarmak için askıyı bastırın.

#### NOT:

Ayrıca eğer mevcutsa toz maskesi takın.

## PASLANMAZ ÇELİK PLAKALARI KESME

### DİKKAT

Bıçağın yerinden çıkmasını, İticiye hasar gelmesini veya aşırı aşınmasını önlemek için, kesme işlemi sırasında taban plakasının yüzeyinin çalıştığınız parçaya sabitlendiğinden emin olun.

Paslanmaz çelik plaka keserken aleti aşağıdaki gibi ayarlayın:

#### 1. Hız ayarı

Bıçak	Malzemenin kalınlığı	Kadran ölçeği
No. 97	1,5 – 2,5 mm	“2” ve “3” arasında orta konum

#### NOT

Kadran ölçeği okuması sadece referans içindir. Hız ne kadar yüksek olursa, malzeme o kadar çabuk kesilecek ama bu durumda bıçağın ömrü kısılacaktır.

Hız düşük olduğunda kesme daha uzun sürecek ama bıçağın ömrü de daha uzun olacaktır. İstendiği gibi ayar yapın.

#### 2. Yörüngesel konumu “0” olarak ayarlayın

#### NOT

- Bıçağın ömrünü uzatmak için kesme sırasında kesme sıvısı (yağ tabanlı kesme sıvısı) kullanın.

## BİÇAK SEÇİMİ

#### ○ Aksesuar bıçaklar

Maksimum çalışma verimliliği ve en iyi sonucu almak için kesilecek malzemenin türüne ve kalınlığına uygun bıçağın seçilmesi önemlidir. Standart aksesuar olarak üç tip bıçak sağlanmıştır. Bıçak numarası, bıçağın montaj yerinin yakınına kazılmıştır. Uygun bıçağı **Tablo 1**'i kullanarak seçin.

## ALYAN ANAHTARIN MUHAFAZASI

Alyan anahtarın tabanın üzerinde muhafaza edilmesi mümkündür. (bkz. Şekil 18)

## BAKIM VE İNCELEME

#### 1. Bıçağın incelenmesi

Körleşmiş veya hasar görmüş bir bıçağın kullanılması kesme verimliliğini düşürecek ve motorun aşırı yüklenmesine neden olacaktır. Aşırı yıpranma fark edilir fark edilmez bıçağı yenisiyle değiştirin.

#### 2. Montaj vidalarının incelenmesi:

Tüm montaj vidalarını düzenli olarak inceleyin ve sağlam şekilde sıkılı olduğundan emin olun. Gevşeyen vidaları derhal sıkın. Gevşemiş vidalar ciddi tehlikelere yol açabilir.

#### 3. Motorun incelenmesi

Motor biriminin sargıları, bu ağır iş aletinin “kalbidir”. Sargının hasar görmediğinden ve/veya yağ ya da su ile ıslanmadığından emin olun.

#### 4. Kömürlerin incelenmesi

Güvenliğiniz ve elektrik çarpmasına karşı koruma için bu alette kömürlerin incelenmesi ve değiştirilmesi sadece Hitachi Yetkili Servis Merkezi tarafından yapılmalıdır.

#### 5. Elektrik kablusunun değiştirilmesi

Aletin elektrik kablosu hasar görmüşse, kablonun değiştirilmesi için alet Hitachi Yetkili Servis Merkezine götürülmelidir.

#### 6. Servis parçaları listesi

- A: Parça no.
- B: Kod no.
- C: Kullanılan sayı
- D: Açıklamalar

#### DİKKAT

Hitachi Ağır İş Aletlerinin bakımı, değiştirilmesi ve incelenmesi, Hitachi Yetkili Servis Merkezlerince gerçekleştirilmelidir.

Bu Parça Listesi, tamir veya herhangi başka bir bakım gerektiğinde Hitachi Yetkili Servis Merkezine çok yardımcı olur.

Ağır iş aletlerinin kullanımı ve bakımı konusunda her ülkede yürürlükte olan güvenlik düzenlemelerine ve standartlarına uygun davranılmalıdır.

#### DEĞİŞİKLİKLER

Hitachi Ağır İş Aletleri en son teknolojik ilerlemelere uygun olarak sürekli değiştirilmekte ve geliştirilmektedir. Dolaysıyla ısıyla, bazı kısımlarda (örneğin kod numaraları ve/veya tasarım gibi) önceden bildirimde bulunulmadan değişiklik yapılabilir.

#### NOT

HITACHI'nin süregelen araştırma ve geliştirme programına bağlı olarak burada belirtilen teknik özelliklerde önceden bildirimde bulunulmadan değişiklik yapılabilir.

#### Havadan yayılan gürültü ve titreşimle ilgili bilgiler

Ölçülen değerlerin EN60745 ve ISO 4871'e uygun olduğu tespit edilmiştir.

Ölçülmüş A-ağırlıklı ses gücü seviyesi: 97 dB (A)

Ölçülmüş A-ağırlıklı ses basınç seviyesi: 86 dB (A)

Belirsiz KPa: 3dB (A)

Kulak koruyucusu kullanın.

Tipik ağırlıklı ortalama karekök ivme değeri: 5,6 m/s<sup>2</sup> (CJ110MV), 5,2 m/s<sup>2</sup> (CJ110MVA).

Tablo 1 Uygun bıçakların listesi

Kesilecek malzeme	Bıçak	No. 1 (Uzun)	No. 1 (Süper Uzun)	No. 11	No. 12, 42	No. 15	No. 16, 46	No. 21	No. 22	No. 41	No. 97	123X
		Malzemenin kalınlığı (mm)										
Ahşap	Genel ahşap	105'nin altı	110'nin altı	10 ~ 55	20'nin altı			10 ~ 55	5 ~ 40	10 ~ 65		
	Kontrplak			5 ~ 30	10'nin altı			5 ~ 30	3 ~ 20			
Demir plaka	Yumuşak çelik plaka					3 ~ 6	3'nin altı				2 ~ 5	1,5 ~ 10
	Paslanmaz çelik plaka										1,5 ~ 2,5	
Demir içermeyen metaller	Alüminyum, bakır, pirinç					3 ~ 12	3'nin altı				5'nin altı	
	Şerit Alüminyum					Yükseklik en fazla 25					Yükseklik en fazla 25	Yükseklik en fazla 30
Plastikler	Fenol reçine, melamin, reçine, vs.					5 ~ 20	6'nin altı	5 ~ 15	6'nin altı		5 ~ 15	
	Vinil klorür, akril reçine vs.			5 ~ 30	10'nin altı	5 ~ 20	10 5	5 ~ 30	3 ~ 20		5 ~ 15	
	Köpük polietilen, köpük stiroil			10 ~ 55	3 ~ 25	5 ~ 25	3 ~ 25	10 ~ 55	3 ~ 40		5 ~ 25	
Karton	Karton, oluklu mukavva			10 ~ 55	3 ~ 25			10 ~ 55	3 ~ 40			
	Sert elyaf levhası					3 ~ 25	6'nin altı				3 ~ 25	
	Elyaf levhası						6'nin altı					

**NOT**

○ No. 1 (Uzun), No. 1 (Süper Uzun), No. 21, No. 22 ve No. 41 bıçakların minimum kesme yarıçapı 100 mm'dir.

## ОБЩИЕ ПРАВИЛА ПО ТЕХНИКЕ БЕЗОПАСНОСТИ

### ПРЕДУПРЕЖДЕНИЕ!

#### Прочтите руководство по эксплуатации

*Невыполнение всех приведенных ниже положений данного руководства может привести к поражению электрическим током, пожару и/или к серьезной травме. Термин "электроинструмент" в контексте всех приведенных ниже мер предосторожности относится к эксплуатируемому Вами электроинструменту с питанием от сетевой розетки (с сетевым шнуром) или электроинструменту с питанием от аккумуляторной батареи (беспроводному).*

### СОХРАНИТЕ ДАННОЕ РУКОВОДСТВО

#### 1) Рабочее место

- a) **Поддерживайте чистоту и хорошее освещение на рабочем месте.**

*Беспорядок и плохое освещение на рабочих местах приводит к несчастным случаям.*

- b) **Не используйте электроинструменты во взрывоопасных окружающих условиях, например, в непосредственной близости от огнеопасных жидкостей, горючих газов или легковоспламеняющейся пыли.**

*Электроинструменты порождают искры, которые могут воспламенить пыль или испарения.*

- c) **Держите детей и наблюдателей на безопасном расстоянии во время эксплуатации электроинструмента.**

*Отвлечение внимания может стать для Вас причиной потери управления.*

#### 2) Электробезопасность

- a) **Штепсельные вилки электроинструментов должны соответствовать сетевой розетке.**

*Никогда не модифицируйте штепсельную вилку никоим образом.*

**Не используйте никакие адаптерные переходники с заземленными (замкнутыми на землю) электроинструментами.**

*Немодифицированные штепсельные вилки и соответствующие им сетевые розетки уменьшат опасность поражения электрическим током.*

- b) **Не прикасайтесь телом к заземленным поверхностям, например, к трубопроводам, радиаторам, кухонным плитам и холодильникам.**

*Если Ваше тело соприкоснется с заземленными поверхностями, возрастает опасность поражения электрическим током.*

- c) **Не подвергайте электроинструменты воздействию дождя или влаги.**

*При попадании воды в электроинструмент возрастает опасность поражения электрическим током.*

- d) **Правильно обращайтесь со шнуром. Никогда не переносите электроинструмент, взяв за шнур, не тяните за шнур, и не дергайте за шнур с целью отсоединения электроинструмента от сетевой розетки. Располагайте шнур подальше от источников тепла, нефтепродуктов, предметов с острыми кромками и движущихся деталей.**

*Поврежденные или запутанные шнуры увеличивают опасность поражения электрическим током.*

- e) **При эксплуатации электроинструмента вне помещений, используйте удлинительный шнур, предназначенный для использования вне помещения.**

*Использование шнура, предназначенного для работы вне помещений, уменьшит опасность поражения электрическим током.*

#### 3) Личная безопасность

- a) **Будьте готовы к неожиданным ситуациям, внимательно следите за своими действиями и руководствуйтесь здравым смыслом при эксплуатации электроинструмента. Не используйте электроинструмент, когда Вы устали или находитесь под влиянием наркотиков, алкоголя или лекарственных препаратов.**

*Мгновенная потеря внимания во время эксплуатации электроинструментов может привести к серьезной травме.*

- b) **Используйте защитное снаряжение. Всегда надевайте средство защиты глаз.**

*Защитное снаряжение, например, противопылевой респиратор, защитная обувь с нескользкой подошвой, защитный шлем-каска или средства защиты органов слуха, используемые для соответствующих условий, уменьшат травмы.*

- c) **Избегайте непреднамеренного включения двигателя. Убедитесь в том, что выключатель находится в положении выключения перед подсоединением к сетевой розетке.**

*Переноска электроинструментов, когда Вы держите палец на выключателе, или подсоединение электроинструментов к сетевой розетке, когда выключатель будет находиться в положении включения, приводит к несчастным случаям.*

- d) **Снимите все регулировочные или гаечные ключи перед включением электроинструмента.**

*Гаечный или регулировочный ключ, оставленный прикрепленным к вращающейся детали электроинструмента может привести к получению личной травмы.*

- e) **Не теряйте устойчивость. Все время имейте надежную точку опоры и сохраняйте равновесие.**

*Это поможет лучше управлять электроинструментом в непредвиденных ситуациях.*

- f) **Одевайтесь надлежащим образом. Не надевайте просторную одежду или ювелирные изделия. Держите волосы, одежду и перчатки как можно дальше от движущихся частей.**

*Просторная одежда, ювелирные изделия или длинные волосы могут попасть в движущиеся части.*

- g) **Если предусмотрены устройства для присоединения приспособлений для отвода и сбора пыли, убедитесь в том, что они присоединены и используются надлежащим образом.**

*Использование данных устройств может уменьшить опасности, связанные с пылью.*

**4) Эксплуатация и обслуживание электроинструментов**

**a) Не перегружайте электроинструмент. Используйте надлежащий для Вашего применения электроинструмент.**

*Надлежащий электроинструмент будет выполнять работу лучше и надежнее в том режиме работы, на который он рассчитан.*

**b) Не используйте электроинструмент с неисправным выключателем, если с его помощью нельзя будет включить и выключить электроинструмент.**

*Каждый электроинструмент, которым нельзя управлять с помощью выключателя, будет представлять опасность и его будет необходимо отремонтировать.*

**c) Отсоедините штепсельную вилку от источника питания перед началом выполнения какой-либо из регулировок, перед сменой принадлежности или хранением электроинструментов.**

*Такие профилактические меры безопасности уменьшат опасность непреднамеренного включения двигателя электроинструмента.*

**d) Храните неиспользуемые электроинструменты в недоступном для детей месте, и не разрешайте людям, не знающим как обращаться с электроинструментом или не изучившим данное руководство, работать с электроинструментом.**

*Электроинструменты представляют опасность в руках неподготовленных пользователей.*

**e) Содержите электроинструменты в исправности. Проверьте, нет ли несоосности или заедания движущихся частей, повреждения деталей или какого-либо другого обстоятельства, которое может повлиять на функционирование электроинструментов.**

*При наличии повреждения, отремонтируйте электроинструмент перед его эксплуатацией. Большое количество несчастных случаев связано с плохим обслуживанием электроинструментов.*

**f) Содержите режущие инструменты остро заточенными и чистыми.**

*Содержащиеся в исправности надлежащим образом режущие инструменты с острыми режущими кромками будут меньше заедать, и будут легче в управлении.*

**g) Используйте электроинструмент, принадлежности, насадки и т.п., в соответствии с данным руководством и определенным типом электроинструмента для выполнения работы по его прямому назначению, принимая во внимание условия и объем выполняемой работы.**

*Использование электроинструмента для выполнения работ не по прямому назначению может привести к опасной ситуации.*

**5) Обслуживание**

**a) Обслуживание Вашего электроинструмента должно выполняться квалифицированным представителем ремонтной службы с использованием только идентичных запасных частей.**

*Это обеспечит сохранность и безопасность электроинструмента.*

**МЕРА ПРЕДОСТОРОЖНОСТИ**

**Держите подальше от детей и слабых людей.**

**Если инструменты не используются, их следует хранить в недоступном для детей и слабых людей месте.**

**МЕРЫ ПРЕДОСТОРОЖНОСТИ ПРИ ЭКСПЛУАТАЦИИ ЛОБЗИКА**

Данный лобзик оснащен мощным двигателем. В случае эксплуатации машины при низкой скорости в течение продолжительного времени, двигатель будет испытывать дополнительную нагрузку, что может привести к заклиниванию двигателя. Всегда эксплуатируйте электроинструмент таким образом, чтобы полотно не застряло в материале во время работы. Всегда регулируйте скорость движения полотна пилы для обеспечения плавного резания.

**ТЕХНИЧЕСКИЕ ХАРАКТЕРИСТИКИ**

Напряжение (по регионам)*	(110 В, 115 В, 120 В, 127 В, 220 В, 230 В, 240 В) ~
Потребляемая мощность*	720Вт
Макс. глубина резания	Дерево 110 мм Низкоуглеродистая сталь 10 мм
Число оборотов холостого хода	850 – 3000 мин <sup>-1</sup>
Длина хода	26 мм
Мин. радиус резания	25 мм
Вес (без шнура)	2,2 кг

\* Проверьте паспортную табличку на изделии, так как она меняется в зависимости от региона

## СТАНДАРТНЫЕ АКСЕССУАРЫ

- (1) Полотна (№ 41) ..... 1  
Что касается использования полотен, обратитесь к **Таблице 1**.
  - (2) Гаечный ключ в виде шестигранного стержня .... 1
  - (3) Защитное приспособление ..... 1
  - (4) Пылесуловитель ..... 1
  - (5) Крышка стружкосборника ..... 1
- Набор стандартных аксессуаров может быть без предупреждения изменён.

## ДОПОЛНИТЕЛЬНЫЕ АКСЕССУАРЫ

..... продаются отдельно

- (1) Полотна различных типов  
Что касается использования полотен, обратитесь к **Таблице 1**.
  - (2) Направляющая
  - (3) Сменное основание
  - (4) Верстак (Модель TR12-B)
- Набор дополнительных аксессуаров может быть без предупреждения изменён.

## ОБЛАСТЬ ПРИМЕНЕНИЯ

- Резание различных пиломатериалов и выпиливание прорезей
- Резание листовой низкоуглеродистой стали, листового алюминия и листовой меди
- Резание синтетических пластмасс, таких как фенольные пластмассы и винилхлорид
- Резание тонких и мягких конструкционных материалов
- Резание листовой нержавеющей стали (при помощи полотна № 97).

## ПОДГОТОВКА К ЭКСПЛУАТАЦИИ

### 1. Источник электропитания

Проследите за тем, чтобы используемый источник электропитания соответствовал требованиям к источнику электропитания, указанным на типовой табличке изделия.

### 2. Переключатель "Вкл./ Выкл."

Убедитесь в том, что переключатель находится в положении "Выкл.". Если вы вставляете штепсель в розетку, а переключатель находится в положении "Вкл.", инструмент немедленно заработает, что может стать причиной серьёзной травмы.

### 3. Удлинитель

Когда рабочая площадка удалена от источника электропитания, пользуйтесь удлинителем. Удлинитель должен иметь требуемую площадь поперечного сечения и обеспечивать работу инструмента заданной мощности. Разматывайте удлинитель только на реально необходимую для данного конкретного применения длину.

### 4. Пыль, образующаяся во время работы

*Пыль, образующаяся во время обычной работы, может повлиять на здоровье оператора. Рекомендуется один из следующих способов.*

- a) Использование маски против пыли
- b) Использование внешнего оборудования для сбора пыли

При использовании внешнего оборудования для сбора пыли, соедините переходник с рукавом от внешнего оборудования для сбора пыли.

### 5. Замена полотен

- (1) Откройте рычаг до упора. (**рис. 1-I**)
- (2) Снимите установленное полотно
- (3) Вставьте новое полотно до упора в держатель полотна. (**рис. 1-II**)
- (4) Закройте рычаг. (**рис. 1-III**)

### ОСТОРОЖНО

- Обязательно убедитесь в том, что выключатель питания находится в положении OFF (ВЫКЛ) и отсоедините вилку от сетевой розетки при замене полотен.
- Не открывайте рычаг, когда движется плунжер.

### ПРИМЕЧАНИЕ:

- Убедитесь, что выступы полотна, надежно вставлены в держатель полотна. (**рис. 2**)
- Подтвердите, что полотно помещено между сторонами канавки ролика. (**рис. 3**)

### 6. Регулирование скорости движения полотна

Данный лобзик оборудован электрической схемой регулирования скорости, которая обеспечивает плавное регулирование скорости. Для того чтобы установить скорость, поверните диск как показано на **рис. 4**. При установке диска в положение "1", лобзик будет функционировать с минимальной скоростью (850мин<sup>-1</sup>). При установке диска в положение "5", лобзик будет функционировать с максимальной скоростью (3000мин<sup>-1</sup>). Отрегулируйте скорость в соответствии с материалом, резание которого будет выполняться, и эффективностью резания.

### ОСТОРОЖНО

Не выполняйте резание дерева толщиной более, чем 10 мм или металла толщиной более, чем 1 мм с низкой скоростью (установка диска в положение: 1 или 2).

### 7. Регулирование функции орбитального движения

- (1) Данный лобзик оснащен функцией орбитального движения, которая перемещает полотно назад и вперед, а также вверх и вниз. Установите ручку переключателя как показано на **рис. 5** в положение "0" для выключения функции орбитального движения (полотно будет перемещаться только вверх и вниз). Функция орбитального движения может быть переключена в одно из 4 положений от "0" до "III".
- (2) Для резания твердых материалов, таких как листовая сталь и т.п., уменьшите действие функции орбитального движения. Для резания мягких материалов, таких как пиломатериалы, пластмассы и т.п., увеличьте действие функции орбитального движения для улучшения эффективности резания. Для выполнения точного резания материала уменьшите действие функции орбитального движения.

### 8. Резание листовой нержавеющей стали

Данным лобзиком можно резать листовую нержавеющую сталь при помощи полотна № 97. Внимательно прочтите раздел "Относительно резания листовой нержавеющей стали" для надлежащего выполнения функции резания.

## 9. Защитное приспособление

Использование защитного приспособления при резании древесных материалов уменьшит раскалывание поверхностей резания.

Вставьте защитное приспособление в зазор в основании и нажмите на приспособление до полной установки. (см. **рис. 6**)

## 10. Крышка стружкосборника

Крышка стружкосборника предотвращает вылет стружек и повышает эффективность пылеуловителя. Вставьте крышку стружкосборника между основанием и рычагом и нажимайте на нее с небольшим усилием до тех пор, пока она не защелкнется на своем месте. (**рис. 7**)

При снятии крышки стружкосборника, держите обе стороны ручки, и понемногу открывайте крышку до тех пор, пока не сможете снять ее с лобзика. (**рис. 8**)

### ПРИМЕЧАНИЕ:

Существует вероятность того, что крышка стружкосборника становится матовой при резании металла.

## 11. Сменное основание

Использование сменного основания (сделанного из стали) уменьшит абразивный износ алюминиевого основания особенно при резании металлов.

Использование сменного основания (сделанного из полимеров) уменьшит царапание поверхности резания. Прикрепите сменное основание к нижней поверхности основания при помощи 4 прикрепленных винтов.

## 12. Включение лампы

Для включения лампы потяните пускатель.

Отпустите включатель для ее выключения.

### ОСТОРОЖНО:

Не смотрите непосредственно на свет или на источник света.

---

## РЕЗАНИЕ

---

### ОСТОРОЖНО

- Для того, чтобы предотвратить смещение полотна, повреждение или чрезмерный износ пилнержера, убедитесь, пожалуйста, в том, что поверхность опорной плиты упирается в обрабатываемое изделие во время резания.

#### 1. Прямолинейное резание

При резании по прямой линии, сначала начертите линию разметки при помощи рейсмуса и двигайте лобзик вперед вдоль этой линии. Использование направляющей (поставляется отдельно) даст возможность выполнить резание точно по прямой линии.

- (1) Ослабьте болт основания гаечным ключом в виде шестигранного стержня, прикрепленным на основании. (**рис. 9**)
- (2) Передвиньте основание вперед до упора (**рис. 10**) и затяните болт основания еще раз.
- (3) Прикрепите направляющую, пропустив ее через установочное отверстие на основании, и затяните болт М5. (**рис. 11**)
- (4) Установите орбитальное движение в положение "0".

### ПРИМЕЧАНИЕ:

Для обеспечения точности резания при использовании направляющей (**рис. 11**), всегда устанавливайте орбитальное движение в положение "0".

## 2. Выпиливание по кривым линиям

При выпиливании по малой дуге окружности, уменьшите скорость подачи двигателя. Если перемещать машину слишком быстро, может случиться поломка полотна.

## 3. Резание по окружности или по дуге окружности

Направляющая также будет полезна для резания по окружности. После прикрепления направляющей, следя описанной выше процедуре, закрутите шуруп или винт в материал через отверстие на направляющей, затем используйте его в качестве оси при резании. (**рис. 12**)

### ПРИМЕЧАНИЕ:

Резание по окружности должно выполняться полотном, установленным почти вертикально по отношению к нижней поверхности основания.

## 4. Резание материалов с металлическими свойствами

- (1) Отрегулируйте скорость диска между метками шкалы "3" и "4".
- (2) Установите орбитальное движение в положение "0" или "1".
- (3) Всегда используйте соответствующую смазочно-охлаждающую жидкость (веретенное масло, мыльную воду и т.п.) Если нельзя применить поток смазочно-охлаждающей жидкости, нанесите смазку на заднюю поверхность материала, резание которого будет выполняться.

## 5. Выпиливание прорезей

- (1) В пиломатериалах Ориентируйте направление полотна по направлению волокон дерева, выполняйте выпиление шаг за шагом до тех пор, пока сквозное отверстие не будет выпилено в центре пиломатериала. (**рис. 13**)
- (2) В других материалах При выпиливании сквозного отверстия в материалах, отличных от пиломатериалов, прежде всего, просверлите отверстие при помощи дрели или аналогичного инструмента, от которого будете начинать выпиление.

## 6. Выпиливание косого прореза

Основание может быть повернуто в обе стороны не более чем на 45° для выпиливания косого прореза. (**рис. 14**)

- (1) Ослабьте болт основания гаечным ключом в виде шестигранного стержня, прикрепленным на основании. (**рис. 9, 10**)
- (2) Совместите шкалу (от 0 градусов до 45 градусов путем 15-градусных приращений) полукруглой детали основания с меткой [▽] на крышке инструмента. (**рис. 15**)
- (3) Затяните болт М5 еще раз. (**рис. 9**)
- (4) Установите орбитальное движение в положение "0".

### ПРИМЕЧАНИЕ:

Резание под углом не может выполняться в случае применения крышки стружкосборника или пылеуловителя.

---

## ПОДСОЕДИНЕНИЕ К ПЫЛЕСОСУ

---

Путем подсоединения к пылесосу (поставляется отдельно) через пылеуловитель и адаптер (поставляется отдельно) можно собрать основное количество пыли.

- (1) Снимите гаечный ключ в виде шестигранного стержня с основания.
- (2) Передвиньте основание вперед до упора. (рис. 9, 10)
- (3) Прикрепите крышку для опилок
- (4) Подсоедините пылеуловитель к адаптеру. (рис. 16)
- (5) Подсоедините адаптер к наконечнику пылесоса. (рис. 16)
- (6) Вставляйте пылеуловитель в заднее отверстие основания до тех пор, пока крючок не зафиксируется в прорези. (рис. 17)
- (7) Для снятия пылеуловителя нажмите на крючок.

#### ПРИМЕЧАНИЕ:

Если можно, носите также маску для защиты от пыли.

## ОТНОСИТЕЛЬНО РЕЗАНИЯ ЛИСТОВОЙ НЕРЖАВЕЮЩЕЙ СТАЛИ

### ОСТОРОЖНО

Для того, чтобы предотвратить смещение полотна, повреждение или чрезмерный износ плунжера, убедитесь, пожалуйста, в том, что поверхность опорной плиты упирается в обрабатываемое изделие во время резания.

При резании листовой нержавеющей стали, отрегулируйте устройство как описано ниже:

#### 1. Отрегулируйте скорость

Полотно	Толщина материала	Шкала диска
№ 97	1,5 – 2,5 мм	Среднее положение канавки между делением шкалы "2" и "3"

#### ПРИМЕЧАНИЕ

Установка шкалы диска используется только для начала отсчета. Чем больше будет скорость, тем быстрее будет выполнено резание материала. Но в этом случае уменьшится срок службы полотна. При слишком низкой скорости резания, процесс резания займет больше времени, хотя при этом срок службы полотна увеличится. Выполните регулирование исходя из необходимости.

#### 2. Установите орбитальное движение в положение "0"

#### ПРИМЕЧАНИЕ

- При резании используйте смазочно-охлаждающую жидкость (смазочно-охлаждающую жидкость на основе смазочного компонента) для увеличения срока службы полотна.

## ВЫБОР ПОЛОТЕН

#### ○ Дополнительные полотна

В целях обеспечения максимальной эффективности при эксплуатации и получения наилучших результатов, очень важно выбрать подходящее полотно, которое больше всего соответствует типу и толщине материала, резание которого будет выполняться. В качестве стандартов принадлежности предусматриваются три типа полотен. Номер полотна выгравирован около установочной части каждого полотна. Для выбора соответствующих полотен обратитесь к **Таблице 1**.

## РАЗМЕЩЕНИЕ ГАЕЧНОГО КЛЮЧА В ВИДЕ ШЕСТИГРАННОГО СТЕРЖНЯ

Гаечный ключ в виде шестигранного стержня может быть размещен на основании. (см. рис. 18)

## ТЕХНИЧЕСКОЕ ОБСЛУЖИВАНИЕ И ПРОВЕРКА

#### 1. Осмотр полотна

Длительное использование тупого или поврежденного полотна может привести к снижению эффективности резания и стать причиной перегрузки двигателя. Замените полотно новым полотном, как только заметите признаки чрезмерного абразивного износа.

#### 2. Проверка установленных винтов:

Регулярно проверяйте все установленные на инструменте винты, следите за тем, чтобы они были как следует затянуты. Немедленно затяните винт, который окажется ослабленным. Невыполнение этого правила грозит серьезной опасностью.

#### 3. Техническое обслуживание двигателя

Обмотка двигателя - "сердце" электроинструмента. Проявляйте должное внимание, следя за тем, чтобы обмотка не была повреждена и/или залита маслом или водой.

#### 4. Осмотр угольных щеток

С целью обеспечения Вашей постоянной безопасности и предотвращения поражения электрическим током, осмотр и замену угольной щетки на данном электроинструменте должны выполнять ТОЛЬКО специалисты авторизованного сервисного центра Hitachi.

#### 5. Замена сетевого шнура

В случае если будет поврежден сетевой шнур данного электроинструмента, электроинструмент необходимо вернуть в авторизованный сервисный центр Hitachi для замены шнура.

#### 6. Порядок записей по техобслуживанию

- A: пункт №
- B: код №
- C: количество применений
- D: замечания

### ОСТОРОЖНО

Ремонт, модификация и проверка электроинструментов HITACHI должна проводиться только в авторизованных сервисных центрах HITACHI. Данный список принесите в мастерскую вместе с инструментом для проведения ремонта или технического обслуживания.

При использовании или техобслуживании инструмента всегда следите за выполнением всех правил и норм безопасности.

### ЗАМЕЧАНИЕ

Фирма HITACHI непрерывно работает над усовершенствованием своих изделий, поэтому мы сохраняем за собой право на внесение изменений в технические характеристики, упомянутые в данной инструкции по эксплуатации, без предупреждения об этом.



**ПРИМЕЧАНИЕ**

На основании постоянных программ исследования и развития, HITACHI оставляют за собой право на изменение указанных здесь технических данных без предварительного уведомления.

**Информация, касающаяся создаваемого шума и вибрации**

Измеряемые величины были определены в соответствии с EN60745 и заявлены в соответствии с ISO 4871.

Измеренный средневзвешенный уровень звуковой мощности: 97 дБ(А)

Измеренный средневзвешенный уровень звукового давления: 86 дБ(А)

Погрешность Кра: 3 дБ (А)

Надевайте наушники.

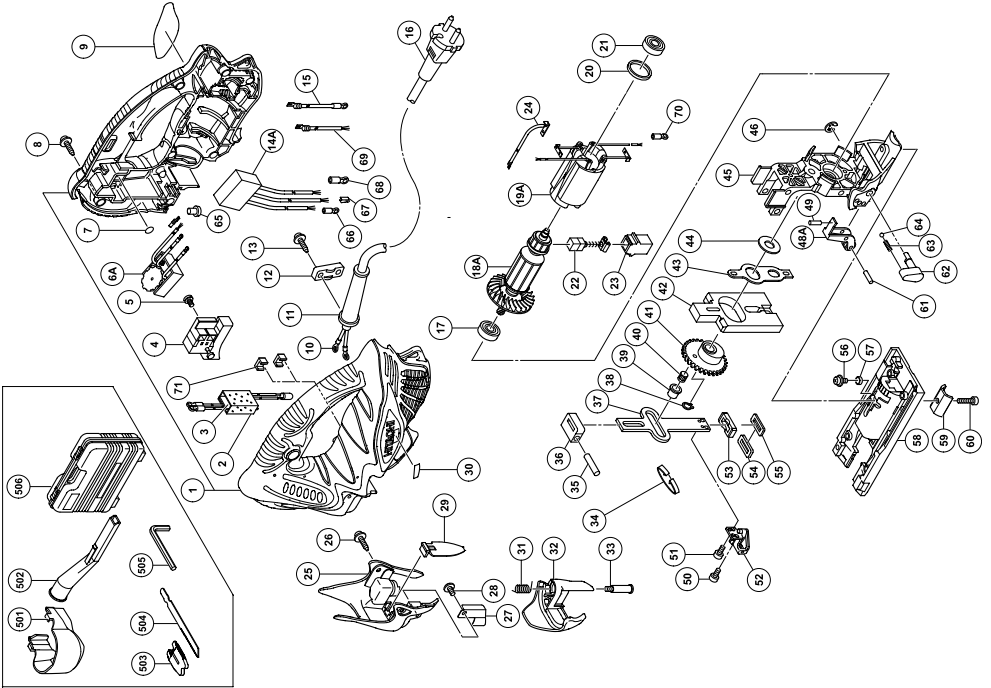
Типичное значение вибрации: 5,6 м/с<sup>2</sup> (СJ110MV), 5,2 м/с<sup>2</sup> (СJ110MVA).

**Таблица 1** Перечень соответствующих полотен

Материал для резания	Полотно Качество материала	№ 1 (Длинное)	№ 1 (Сверх-длинным)	№ 11	№ 12, 42	№ 15	№ 16, 46	№ 21	№ 22	№ 41	№ 97	123X
		Толщина материала (мм)										
Пиломатериалы	Общие пиломатериалы	Меньше 105	Меньше 110	10 ~ 55	Меньше 20			10 ~ 55	5 ~ 40	10 ~ 65		
	Фанера			5 ~ 30	Меньше 10			5 ~ 30	3 ~ 20			
Листовая сталь	Листовая низкоуглеродистая сталь					3 ~ 6	Меньше 3				2 ~ 5	1,5 ~ 10
	Листовая нержавеющая сталь										1,5 ~ 2,5	
Цветные металлы	Алюминий медь, латунь					3 ~ 12	Меньше 3				Меньше 5	
	Алюминиевая лента					высотой до 25					высотой до 25	высотой до 30
Пластмассы	Фенольные пластмассы, меламин, полимеры и т.п.					5 ~ 20	Меньше 6	5 ~ 15	Меньше 6		5 ~ 15	
	Винилхлорид, акриловые пластмассы и т.п.			5 ~ 30	Меньше 10	5 ~ 20	Меньше 5	5 ~ 30	3 ~ 20		5 ~ 15	
	Пористый полиэтилен, пористый стирол			10 ~ 55	3 ~ 25	5 ~ 25	3 ~ 25	10 ~ 55	3 ~ 40		5 ~ 25	
Целлюлоза	Тонкий картон, гофрированная бумага			10 ~ 55	3 ~ 25			10 ~ 55	3 ~ 40			
	Твердый картон					3 ~ 25	Меньше 6				3 ~ 25	
	Фибровый картон						Меньше 6					

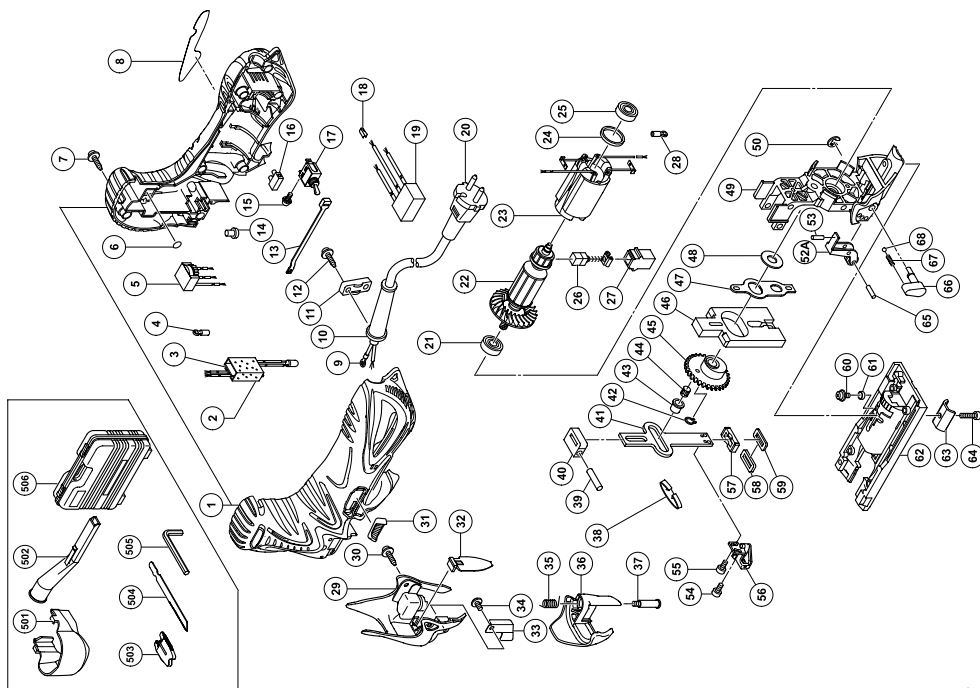
**ПРИМЕЧАНИЕ**

○ Минимальный радиус резания полотнами № 1 (Длинным), № 1 (Сверхдлинным), № 21, № 22 и № 41 составляет 100 мм.

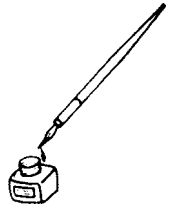


A	B	C	D	A	B	C	D
1	325097	1	1	36	325070	1	
2	930153	1	1	37	325072	1	
3-1	325091	1	1	38	994251	1	
3-2	325084	1	1	39	325069	1	
				40	325242	1	
4	325085	1	1	41	325068	1	
5	305499	4	M3.5×6	42	325067	1	
6A-1	326286	1	100V-110V	43	325066	1	
6A-2	326287	1	120V	44	957540	1	
6A-3	326288	1	220V-240V	45	325061	1	
7	984528	4	P-6	46	673489	1	
8	301653	7	D4×20	48A	326270	1	
9		9		49	325062	1	
10	980063	2		50	325241	1	M3×8
11-1	953327	1	D8.8	51	325077	1	M3×6
11-2	938051	1	D10.1	52	325076	1	
12	937631	1		53	325073	1	
13	984750	2	D4X16	54	325075	1	
14A	325566	1		55	325074	1	
15	325095	1		56	315500	1	M4×8
16		1		57	321576	1	
17	608VVM	1	608VVC2PS2L	58	321573	1	
18A-1	360764C	1	110V	59	321575	1	
18A-2	360764E	1	230V	60	949665	1	M5×14
18A-3	360764F	1	240V	61	983545	1	
19A-1	340666C	1	110V	62	325065	1	
19A-2	340666E	1	230V-240V	63	982454	1	
20	323420	1		64	959155	1	D3.97
21	608VVM	1	608VVC2PS2L	65	959140	1	
22	999041	2		66	960356	1	M3.5
23	955203	2		67	302488	1	
24	325088	2	50L	68	311741	1	
25	325078	1		69	321587	1	260L
26	325083	2	D4×12	70	960356	1	
27	321592	2		71	326297	2	
28	325079	1	M4×8	501	325096	1	
29	325082	1		502	321591	1	
30		1		503	321590	1	
31	321580	1		504	879357	1	NO.41
32	325080	1		505	944458	1	4MM
33	325081	1		506	325090	1	
34	325071	1					
35	983564	1					

CJ110MVA



A	B	C	D	A	B	C	D
1	325419	1	1	43	325069	1	1
2	930153	1	1	44	325242	1	1
3	325415	1	1	45	325068	1	1
4	960356	1	M3.5	46	325067	1	1
5	325418	1	230V-240V	47	325066	1	1
6	984528	4	P-6	48	957540	1	1
7	301653	7	D4×20	49	325061	1	1
8	_____	1	_____	50	673489	1	1
9	960356	1	M3.5	52A	326270	1	1
10	953327	1	D8.8	53	325062	1	1
11	937631	1	_____	54	325241	1	M3×8
12	984750	2	D4×16	55	325077	1	M3×6
13	321594	1	_____	56	325076	1	1
14	959140	1	_____	57	325073	1	1
15	305499	1	_____	58	325075	1	1
16	938307	1	M3.5×6	59	325074	1	1
17	955509	1	_____	60	315500	1	M4×8
18	302488	1	_____	61	321576	1	1
19	325566	1	_____	62	321573	1	1
20	_____	1	_____	63	321575	1	1
21	608VVM	1	608VVC2PS2L	64	949665	1	M5×14
22-1	360764E	1	230V	65	983545	1	1
22-2	360764F	1	240V	66	325065	1	1
23	340666E	1	230V-240V	67	982454	1	1
24	323420	1	_____	68	959155	1	1
25	608VVM	1	608VVC2PS2L	501	325096	1	1
26	999041	2	_____	502	321591	1	1
27	955203	2	_____	503	321590	1	1
28	311741	1	_____	504	879357	1	NO.41
29	325078	1	_____	505	944458	1	4MM
30	325083	2	D4×12	506	325090	1	1
31	325414	1	_____				
32	325082	1	_____				
33	321592	1	M4×8				
34	325079	1	_____				
35	321580	1	_____				
36	325080	1	_____				
37	325081	1	_____				
38	325071	1	_____				
39	983564	1	_____				
40	325070	1	_____				
41	325072	1	_____				
42	994251	1	_____				



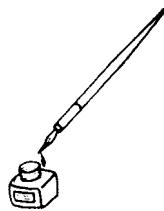
<p>English</p> <p><b><u>GUARANTEE CERTIFICATE</u></b></p> <ol style="list-style-type: none"> <li>① Model No.</li> <li>② Serial No.</li> <li>③ Date of Purchase</li> <li>④ Customer Name and Address</li> <li>⑤ Dealer Name and Address (Please stamp dealer name and address)</li> </ol>	<p>Magyar</p> <p><b><u>GARANCIA BIZONYLAT</u></b></p> <ol style="list-style-type: none"> <li>① Típuszám</li> <li>② Sorozatszám</li> <li>③ A vásárlás dátuma</li> <li>④ A Vásárló neve és címe</li> <li>⑤ A Kereskedő neve és címe (Kérjük ide elhelyezni a Kereskedő nevének és címének pecsétjét)</li> </ol>
<p>Deutsch</p> <p><b><u>GARANTIESCHEIN</u></b></p> <ol style="list-style-type: none"> <li>① Modell-Nr.</li> <li>② Serien-Nr.</li> <li>③ Kaufdatum</li> <li>④ Name und Anschrift des Kunden</li> <li>⑤ Name und Anschrift des Händlers (Bitte mit Namen und Anschrift des Handlers abstempeln)</li> </ol>	<p>Čeština</p> <p><b><u>ZÁRUČNÍ LIST</u></b></p> <ol style="list-style-type: none"> <li>① Model č.</li> <li>② Série č.</li> <li>③ Datum nákupu</li> <li>④ Jméno a adresa zákazníka</li> <li>⑤ Jméno a adresa prodejce (Prosíme o razítko se jménem a adresou prodejce)</li> </ol>
<p>Ελληνικά</p> <p><b><u>ΠΙΣΤΟΠΟΙΗΤΙΚΟ ΕΓΓΥΗΣΗΣ</u></b></p> <ol style="list-style-type: none"> <li>① Αρ. Μοντέλου</li> <li>② Αύξων Αρ.</li> <li>③ Ημερομηνία αγοράς</li> <li>④ Όνομα και διεύθυνση πελάτη</li> <li>⑤ Όνομα και διεύθυνση μεταπωλητή (Παρακαλούμε να χρησιμοποιηθεί σφραγίδα)</li> </ol>	<p>Türkçe</p> <p><b><u>GARANTİ SERTİFİKASI</u></b></p> <ol style="list-style-type: none"> <li>① Model No.</li> <li>② Seri No.</li> <li>③ Satın Alma Tarihi</li> <li>④ Müşteri Adı ve Adresi</li> <li>⑤ Bayi Adı ve Adresi (Lütfen bayi adını ve adresini kaşe olarak basın)</li> </ol>
<p>Polski</p> <p><b><u>GWARANCJA</u></b></p> <ol style="list-style-type: none"> <li>① Model</li> <li>② Numer seryjny</li> <li>③ Data zakupu</li> <li>④ Nazwa klienta i adres</li> <li>⑤ Nazwa dealera i adres (Pieczęć punktu sprzedaży)</li> </ol>	<p>Русский</p> <p><b><u>ГАРАНТИЙНЫЙ СЕРТИФИКАТ</u></b></p> <ol style="list-style-type: none"> <li>① Модель №</li> <li>② Серийный №</li> <li>③ Дата покупки</li> <li>④ Название и адрес заказчика</li> <li>⑤ Название и адрес дилера (Пожалуйста, внесите название и адрес дилера)</li> </ol>

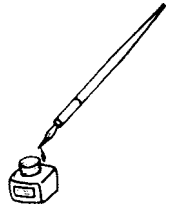


# HITACHI

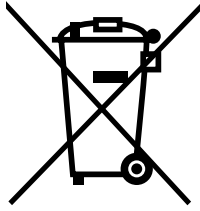
①	
②	
③	
④	
⑤	











#### English

Only for EU countries

Do not dispose of electric tools together with household waste material!

In observance of European Directive 2002/96/EC on waste electrical and electronic equipment and its implementation in accordance with national law, electric tools that have reached the end of their life must be collected separately and returned to an environmentally compatible recycling facility.

#### Deutsch

Nur für EU-Länder

Werfen Sie Elektrowerkzeuge nicht in den Hausmüll!

Gemäss Europäischer Richtlinie 2002/96/EG über Elektro- und Elektronik- Altgeräte und Umsetzung in nationales Recht müssen verbrauchte Elektrowerkzeuge getrennt gesammelt und einer umweltgerechten Wiederverwertung zugeführt werden.

#### Ελληνικά

Μόνο για τις χώρες της ΕΕ

Μην πετάτε τα ηλεκτρικά εργαλεία στον κάδο οικιακών απορριμμάτων!

Σύμφωνα με την ευρωπαϊκή οδηγία 2002/96/EK περί ηλεκτρικών και ηλεκτρονικών συσκευών και την ενσωμάτωσή της στο εθνικό δίκαιο, τα ηλεκτρικά εργαλεία πρέπει να συλλέγονται ξεχωριστά και να επιστρέφονται για ανακύκλωση με τρόπο φιλικό προς το περιβάλλον.

#### Polski

Dotyczy tylko państw UE

Nie wyrzucaj elektronarzędzi wraz z odpadami z gospodarstwa domowego!

Zgodnie z Europejską Dyrektywą 2002/96/WE w sprawie zużytego sprzętu elektrotechnicznego i elektronicznego oraz dostosowaniem jej do prawa krajowego, zużyte elektronarzędzia należy posegregować i zutylizować w sposób przyjazny dla środowiska.

#### Magyar

Csak EU-országok számára

Az elektromos kéziszerszámokat ne dobja a háztartási szemétkébe!

A használt villamos és elektronikai készülékekről szóló 2002/96/EK irányelv és annak a nemzeti jogba való átültetése szerint az elhasznált elektromos kéziszerszámokat külön kell gyűjteni, és környezetbarát módon újra kell hasznosítani.

#### Čeština

Jen pro státy EU

Elektrické nářadí nevyhazujte do komunálního odpadu!

Podle evropské směrnice 2002/96/EG o nakládání s použitými elektrickými a elektronickými zařízeními a odpovídajících ustanovení právních předpisů jednotlivých zemí se použitá elektrická nářadí musí sbírat odděleně od ostatního odpadu a podrobit ekologicky šetrnému recyklování.

#### Türkçe

Sadece AB ülkeleri için


Elektrikli el aletlerini evdeki çöp kutusuna atmayınız! Kullanılmış elektrikli aletleri, elektrik ve elektrikli eski cihazlar hakkındaki 2002/96/EC Avrupa yönergelerine göre ve bu yönergeler ulusal hukuk kurallarına göre uyarlanarak, ayrı olarak toplanmalı ve çevre şartlarına uygun bir şekilde tekrar değerlendirilmeye gönderilmelidir.

#### Русский

Только для стран ЕС

Не выкидывайте электроприборы вместе с обычным мусором!

В соответствии с европейской директивой 2002/96/EG об утилизации старых электрических и электронных приборов и в соответствии с местными законами электроприборы, бывшие в эксплуатации, должны утилизироваться отдельно безопасным для окружающей среды способом.

<p>English</p> <p><b>EC DECLARATION OF CONFORMITY</b></p> <p>We declare under our sole responsibility that this product is in conformity with standards or standardized documents EN60745, EN55014 and EN61000-3 in accordance with Council Directives 73/23/EEC, 89/336/EEC and 98/37/EC.</p> <p>This declaration is applicable to the product affixed CE marking.</p>	<p>Magyar</p> <p><b>EU MEGFELELŐSÉGI NYILATKOZAT</b></p> <p>Teljes felelősségünk tudatában kijelentjük, hogy ez a termék megfelel az EN60745, EN55014, és EN 61000-3 szabványoknak illetve szabványosított dokumentumoknak, az Európa Tanács 73/23/EEC, 89/336/EEC, és 98/37/EC Tanácsi Direktíváival összhangban.</p> <p>Jelen nyilatkozat a terméken feltüntetett CE jelzésre vonatkozik.</p>
<p>Deutsch</p> <p><b>ERKLÄRUNG ZUR KONFORMITÄT MIT CE-REGELN</b></p> <p>Wir erklären mit alleiniger Verantwortung, daß dieses Produkt den Standards oder standardisierten Dokumenten EN60745, EN55014 und EN61000-3 in Übereinstimmung mit den Direktiven des Europarats 73/23/EWG, 89/336/EWG und 98/37/CE entspricht.</p> <p>Diese Erklärung gilt für Produkte, die die CE-Markierung tragen.</p>	<p>Čeština</p> <p><b>PROHLÁŠENÍ O SHODĚ S CE</b></p> <p>Prohlašujeme na svoji zodpovědnost, že tento výrobek odpovídá normám EN60745, EN55014 a EN61000-3 v souladu se směrnicemi 73/23/EEC, 89/336/EEC a 98/37/EC.</p> <p>Toto prohlášení platí pro výrobek označený značkou CE.</p>
<p>Ελληνικά</p> <p><b>ΕΚ ΔΗΛ-ΣΗ ΕΝΑΡΜΟΝΙΣΜΟΥ</b></p> <p>Δηλώνουμε με απόλυτη υπευθυνότητα ότι αυτό το προϊόν είναι εναρμονισμένο με τα πρότυπα ή τα έγγραφα προτύπων EN60745, EN55014 και EN61000-3 σε συμφωνία με τις Οδηγίες του Συμβουλίου 73/23/ΕΟΚ, 89/336/ΕΟΚ και 98/37/ΕΚ.</p> <p>Αυτή η δήλωση ισχύει στο προϊόν με το σημάδι CE.</p>	<p>Türkçe</p> <p><b>AB UYGUNLUK BEYANI</b></p> <p>Bu ürünün, 73/23/EEC, 89/336/EEC ve 98/37/EC sayılı Konsey Direktiflerine uygun olarak, EN60745, EN55014 ve EN61000-3 sayılı standartlara ve standartlaştırılmış belgelere uygun olduğunu, tamamen kendi sorumluluğumuz altında beyan ederiz.</p> <p>Bu beyan, üzerinde CE işareti bulunan ürünler için geçerlidir.</p>
<p>Polski</p> <p><b>DEKLARACJA ZGODNOŚCI Z EC</b></p> <p>Oznajmiamy z całkowitą odpowiedzialnością, że produkt ten pozostaje w zgodzie ze standardami lub standardową formą dokumentów EN60745, EN55014 i EN61000-3 w zgodzie z Zasadami Rady 73/23/EEC 89/336/ EEC i 98/37/EC.</p> <p>To oświadczenie odnosi się do załączonego produktu z oznaczeniami CE.</p>	<p>Русский</p> <p><b>ДЕКЛАРАЦИЯ СООТВЕТСТВИЯ ЕС</b></p> <p>Мы с полной ответственностью заявляем, что данное изделие соответствует стандартам или стандартизованным документам EN60745, EN55014 и EN61000-3 согласно Директивам Совета 73/23/EEC, 89/336/EEC и 98/37/EC.</p> <p>Данная декларация относится к изделиям, на которых имеется маркировка CE.</p>
<p>Representative office in Europe  <b>Hitachi Power Tools Europe GmbH</b>  Siemensring 34, 47877 Willich 1, F. R. Germany</p> <p>Head office in Japan  <b>Hitachi Koki Co., Ltd.</b>  Shinagawa Intercity Tower A, 15-1, Konan 2-chome,  Minato-ku, Tokyo, Japan</p> <div style="text-align: right;">   30. 12. 2005    K. Kato  Board Director </div>	

 **Hitachi Koki Co., Ltd.**